

RACING ELECTRIC BOAT

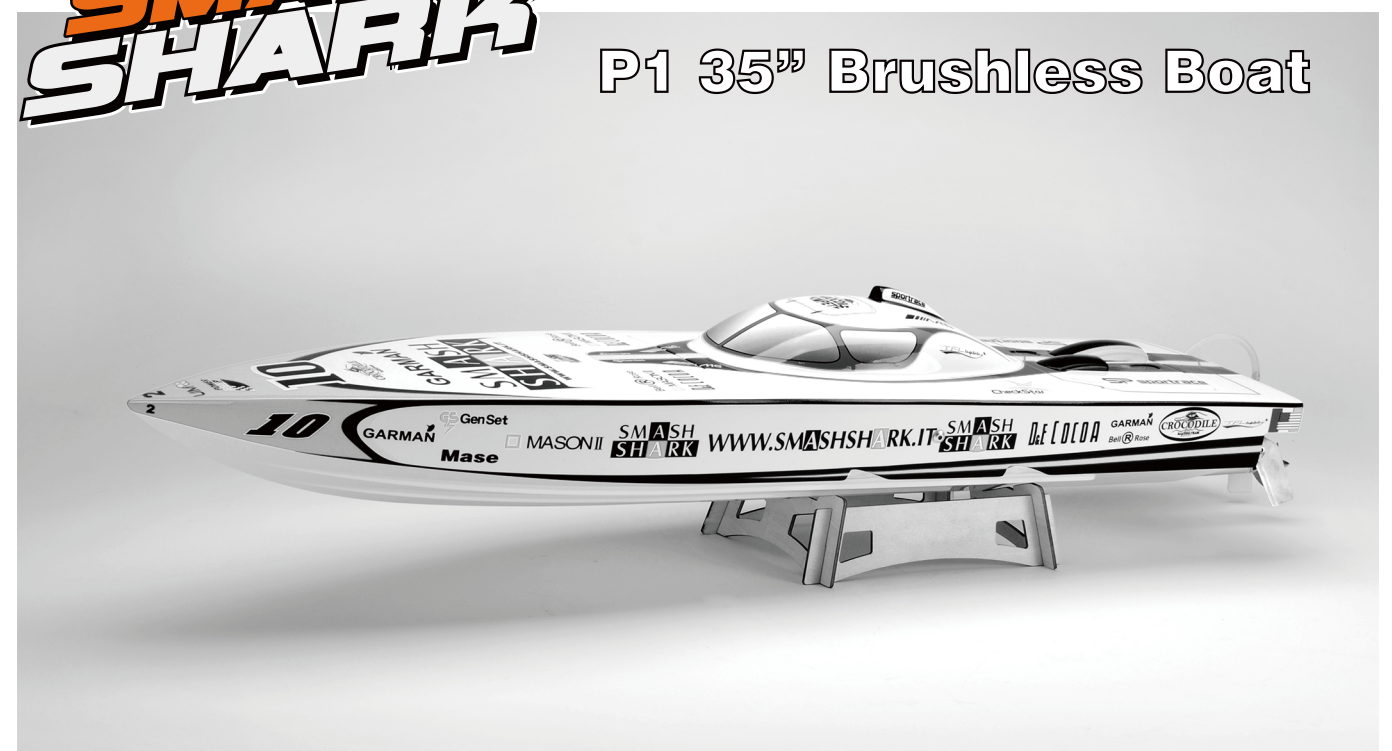
Instruction Manual and Tuning Guide

組裝-使用說明書

Product Item:1125



P1 35" Brushless Boat



Scale fiberglass composite stepped racing boats

Hull length 810mm Beam 220mm Height 150mm



WWW.TFLHOBBY.COM

廣州市天富龍模型有限公司
網站地址: <http://www.TFLHOBBY.com>
電子郵箱: TFL@TFLHOBBY.com
聯繫電話: +8620-34521973

Before beginning assembly, please read these instructions thoroughly!

在動手組裝模型之前, 請先詳細閱讀這本組裝使用說明書!

Always keep this instruction manual ready at hand for quick reference, even after completing the assembly.

INTRODUCTION 簡介

Thank you for purchasing our Model-products. This boat" Smash shark" has a brushless power motor, body manufactured with fiberglass FRP measurements also proper CG (Center of gravity) based on actual boat vessel, with clean lines and a dynamic hull it will become model enthusiasts' favorite and can be used in the international competitions. In order to make controllers appreciate the unequaled excitement, propellers have been upgraded thru research and engineering, the Smash shark high speed brushless motor system will not only bring power and performance to a new stage, but also let you get a unprecedented boating experience!

感謝閣下對天富龍模型產品的信賴與支持，Smash shark無刷動力賽艇是適合中級和剛接觸遙控模型的遙控模型愛好者操控和玩樂。Smash shark的船體是根據大型競賽船體p1 powerboats等比例縮放而成，使用玻璃鋼工藝精心制作，為愛好者提供一個造型優美、充滿動感與激情的船體，並配合強大的無刷電機系統，令操控者領略賽場上的興奮和無與倫比的速度！當經過適度升級改造，Smash shark無刷動力賽艇無論動力和操控性能都會達到一個新臺階，更令你得到前所未有的新體驗。

Please note that the complexity of parts and the performance of controls are as close to a real boat, and requires a professional guidance to operate it, so read and follow instructions and operating guidelines. We hope that Smash shark will show you a exciting and recreational feeling as close to the hydroplane competitions. Please keep this instruction for future reference.

請記住，這是一款非常仿真的比例遙控模型，不但外觀相近，零件的複雜度和操控性和真船非常接近。我們希望這產品會給你帶來P1級別真實賽艇的刺激和娛樂休閒的感受。駕馭該產品需要比較全面的專業知識，所以你需要仔細閱讀這本使用說明書及注意事項，如果你是一名新手或者第一次接觸遙控模型，請在組裝、操控模型前尋求富有經驗的模型愛好者、模型店的幫助，以令商品的性能完美發揮。請保留本手冊，以供將來參考。

ATTENTION 注意事項

1. The model boat can not be exposed to the sun for a long time.
2. Please keep the boat away from high voltage transmission lines, radio towers or the area controlled by radio wave.
3. Do something for Waterproofing. Do not allow water or liquids to moisten any electrical part including motor, remote control, servo circuit, electron speed regulator, etc.. In the meantime the cabin should be sealed effectively with sealing tape
4. The boat should be stored in a cool and dry place. Because of the high humidity the boat will be corroded fleetly.
5. Keep the hull clean. Keep the hull and the electrical part from dust and oil stain.
6. Please keep the boat balance during transport. Severe turbulence or hit by a heavy object can cause the hull and parts damaged.
7. Do not leave any foreign bodies inside the cabin except the necessary parts.
8. Please do not close the rapidly rotating propeller and the shell of external-rotor brushless motor to prevent unnecessary injury.
9. To prevent scalding please do not touch the motor and battery which just stop operating.

1. 不能將模型長時間放在陽光下直接暴曬。
2. 不要將此模型駛近高壓輸電綫、無線電鐵塔，或者其他有無線電波管制的區域。
3. 做好防水工作，不要讓水或其他液體接觸到任何電氣部分，包括馬達、遙控器、伺服電路、電子調速器等，並有效地用密封膠帶將船艙蓋密封。
4. 模型船應該存放在陰涼乾燥的地方，濕度高的地方可能令模型加速銹蝕。
5. 保持船身幹淨清潔，不要讓灰塵、油污接近船身和電氣部分。
6. 運輸過程請保持船體的平穩，劇烈的顛簸、搖晃和硬物的撞擊會導致船身和零部件的損壞。
7. 除了必要的零部件，船艙內不能留有任何異物。
8. 請不要將手和其他物體靠近高速旋轉的螺旋槳、外轉子無刷電機的外殼，這些都會使你受到不必要的傷害。
9. 剛剛停航的馬達和電池都有一定熱量，為防燙傷應避免觸摸這些地方。

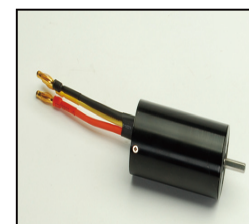
WARNING 警告

1. Do not operate boats in the crowded places, including public bathing beach, public swimming-pool, the other water clubs and the main channel which ships sail on . Because you have to bear the full responsibility for the safe of your boat! !
2. Please make measures to salvage the boat in advance, in case that your boat will be likely suspended in the lake,
3. Please do not launch your boat ,when there is a wind-driven rain or a tidal bulge . Because there is likely a strong undercurrent underwater at the moment. You should not only pay attention to your boat but also protect yourself not to be fallen into the water.

1. 不要在人群密集的地方操控快艇，包括公眾海濱浴場，公眾游泳池和其他一些水上會所，任何有船隻行駛的主航道，因為在模型的安全問題上你負有完全的不可推卸的責任！！
2. 在模型的放航前要做好船隻的拯救打撈措施，因為你的船隻很有可能在湖中停航。
3. 在風急浪湧或潮汐高漲的天氣請不要讓模型下水，這時水面下很可能有強大的暗流，你不但要做好船隻的保護工作還要為自身的安全多作考慮，避免失足落水。



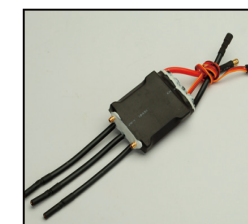
PARTS LISTS 零件清單



3660 KV 2070 Motor



532B40 Water cooler



120A ESC



510B40A180 Flex



514B20 Stainless steel pipe



212B40 Teflon washer



518B60 Prop nut



517B15 Stabi



6 Retaining coil



533B10 Antenna mounts



520B40 Joint pole



Tools kit



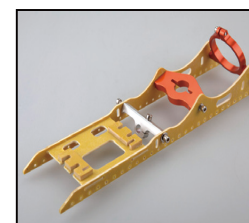
213B55 Boots



213B20 Silicon tube



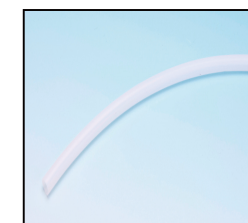
518B31 Oar fork



TFL-60 Mount



529B35 Collect



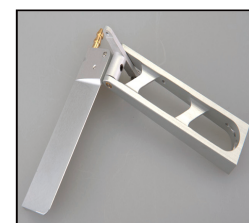
212B20 Plastic tube



511B31 Drive



5B11*38 Prop



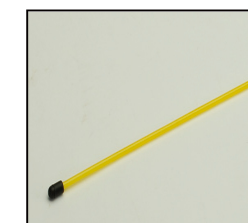
502B22 Rudder



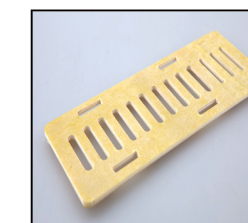
213B20 Bush



52140 Water outlet



533B20 Antenna tube



170*65 Battery holder



503B73 Stringer drive

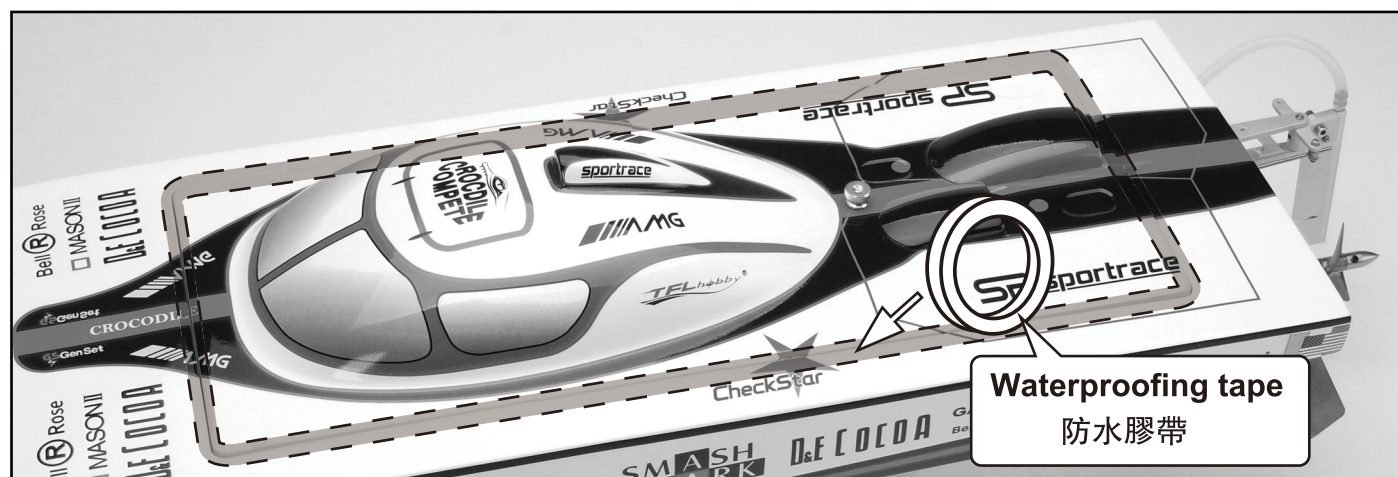
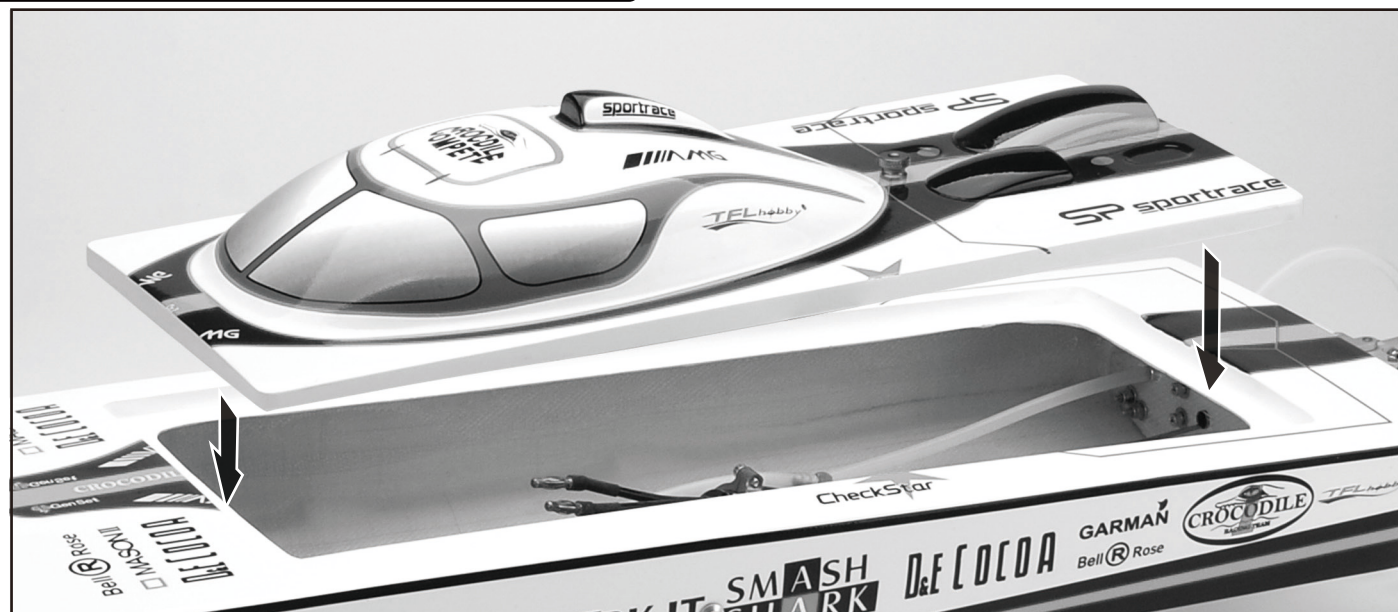


530B13 Nut



240B36 O-Ring

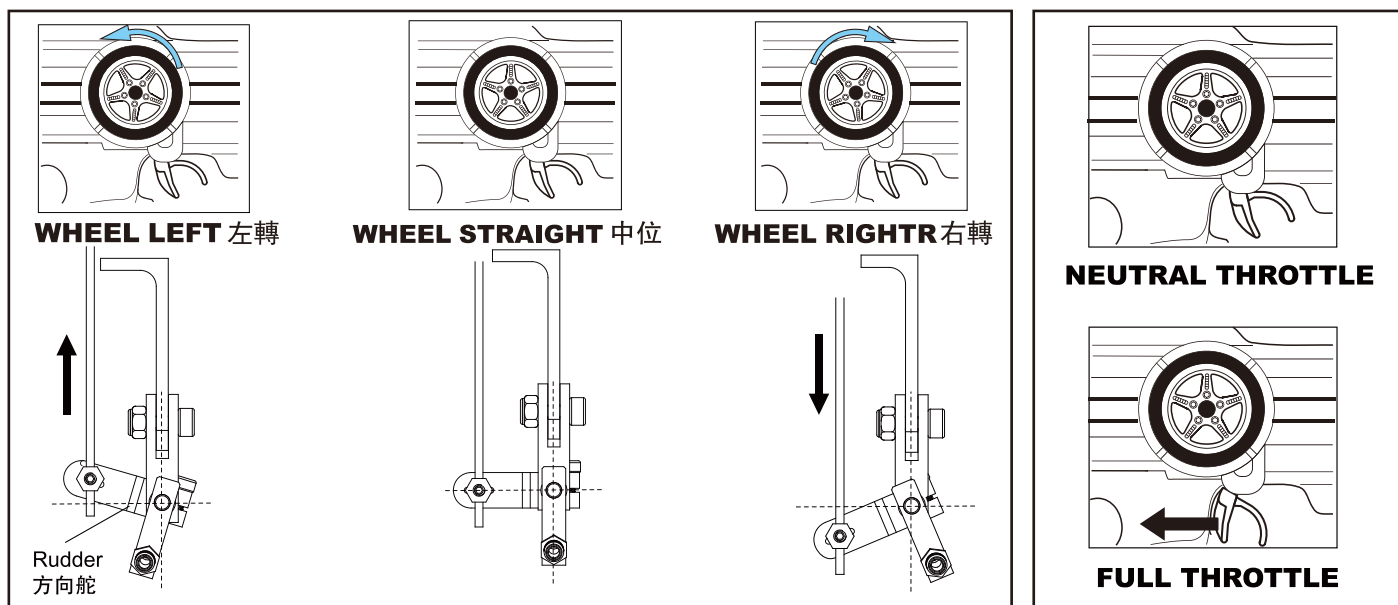
INSTALLING THE HATCH 安裝船艙蓋



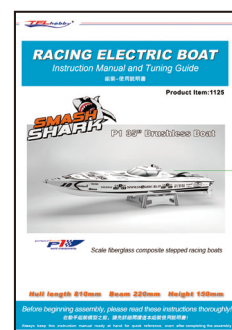
Before the race switched on power. to waterproof the hatch. use strips of clear tape to seal the lid on all four sides. 出航前接通電源，將船艙蓋蓋好，并用防水膠帶源艙蓋四周密封，并保證無滲漏。

BASIC CONTROLS 基本控制

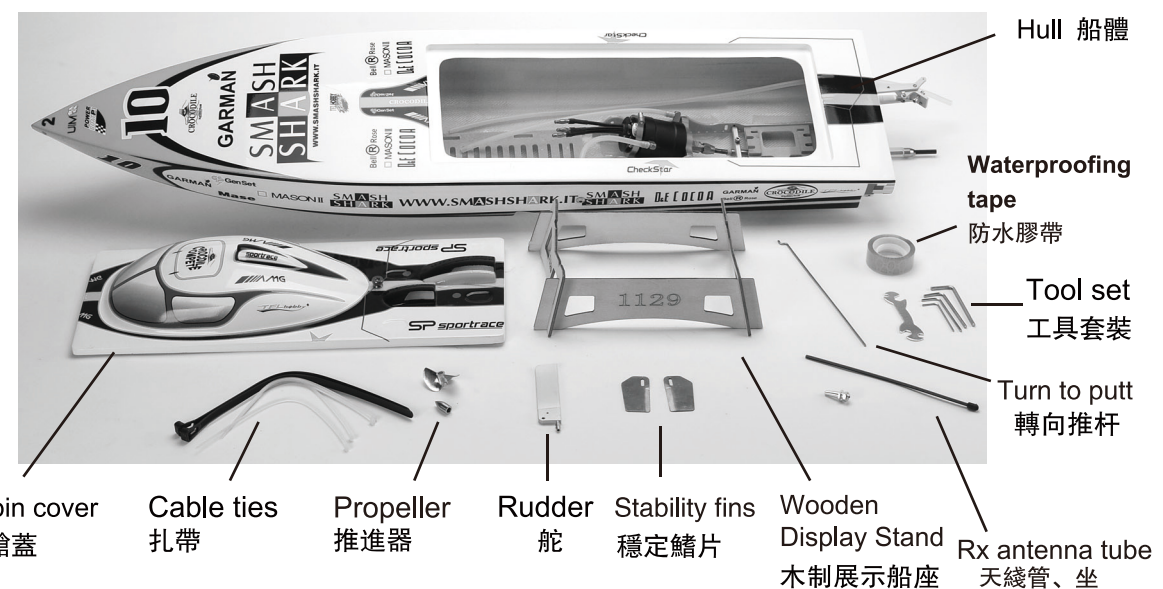
*Refer to the radio manual that came with your kit for complete instructions.



INCLUDED ITEMS 包裝內容



A 組裝調試說明書



Hull 船體
Waterproofing tape 防水膠帶
Tool set 工具套裝
Turn to putt 轉向推杆
Cabin cover 船艙蓋
Cable ties 扎帶
Propeller 推進器
Rudder 舵
Stability fins 穩定鰭片
Wooden Display Stand 木制展示船座
Rx antenna tube 天綫管、坐

NECESSARY ACCESSORIES (SELECTIVE PURCHASING) 必要配件 (選購)

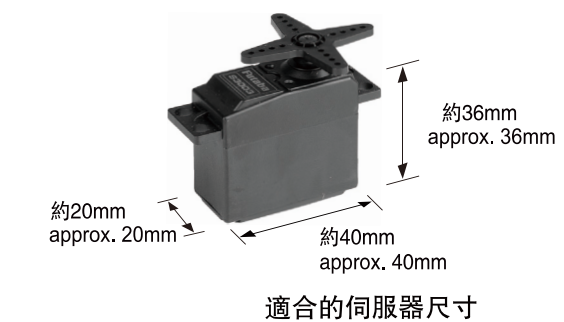
Standard telecommand equipment 標準的遙控設備: 2 channel & 2 servo radio for R/C models. 2頻道2伺服R/C遙控設備。

Please check the size of your servo if it's in accord with installation requirement. 請檢查你的伺服器的尺寸是否符合安裝要求

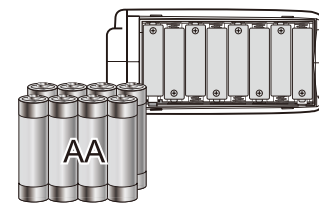


Wheel type 槍式遙控

Stick type 杆式遙控



適合的伺服器尺寸



8 pieces AA battery (for transmitter) AA-規格電池8個 (發射機用)



Lithium-polymer battery *1 鋰聚合物電池 X1 11.1V ≥ 2200mAh ≥ 20C

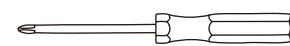


Charger 快速充電器



Electron speed control 電子調速器

TOOLS REQUIRED 需要自備的工具



Philips Screwdriver 十字螺絲刀



Needle Nose Pliers 尖嘴鉗



Scissors 剪刀



Hobby Knife 模型刀



Wire Cutters 鋼絲鉗

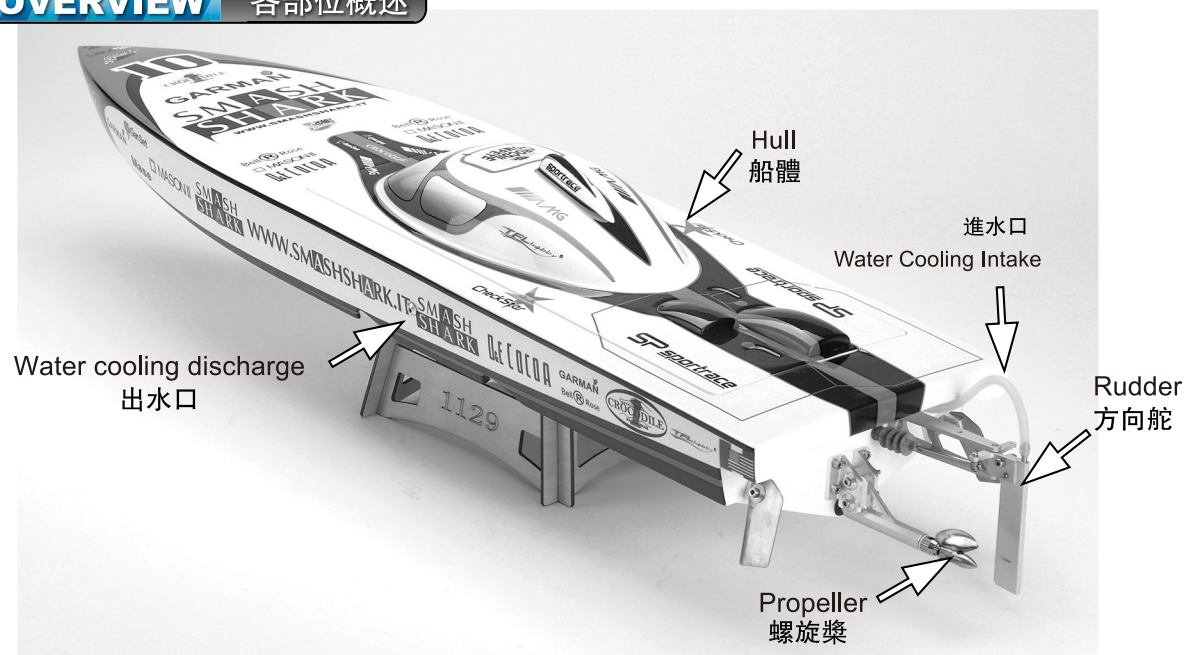


Epoxy Glue 雙組分環氧膠

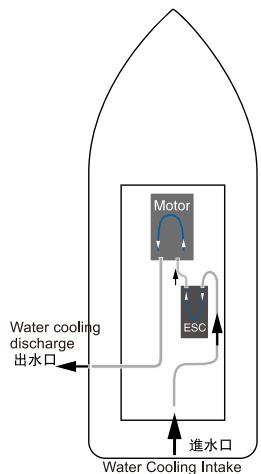
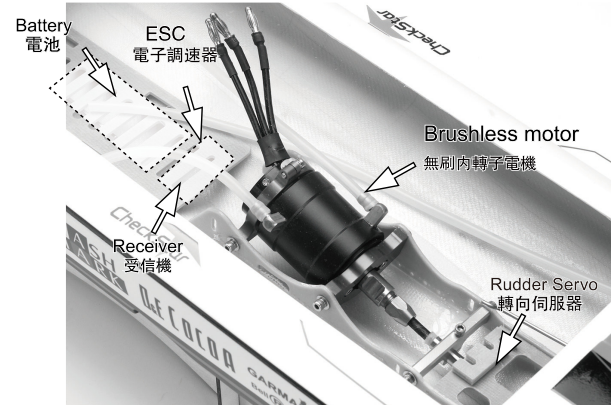


Instant CA Glue CA瞬間粘合膠

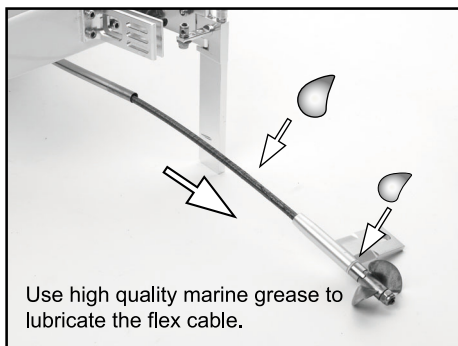
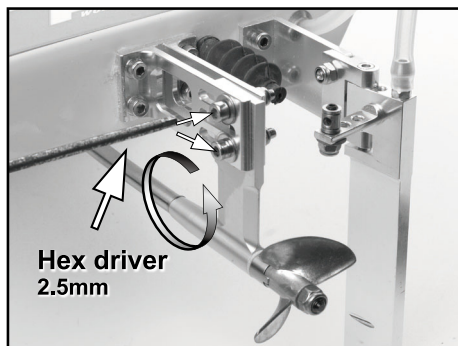
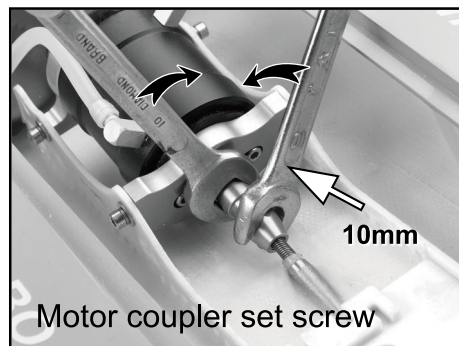
MODEL OVERVIEW 各部位概述



LAYOUT 布局



BOAT MAINTENANCE 保養



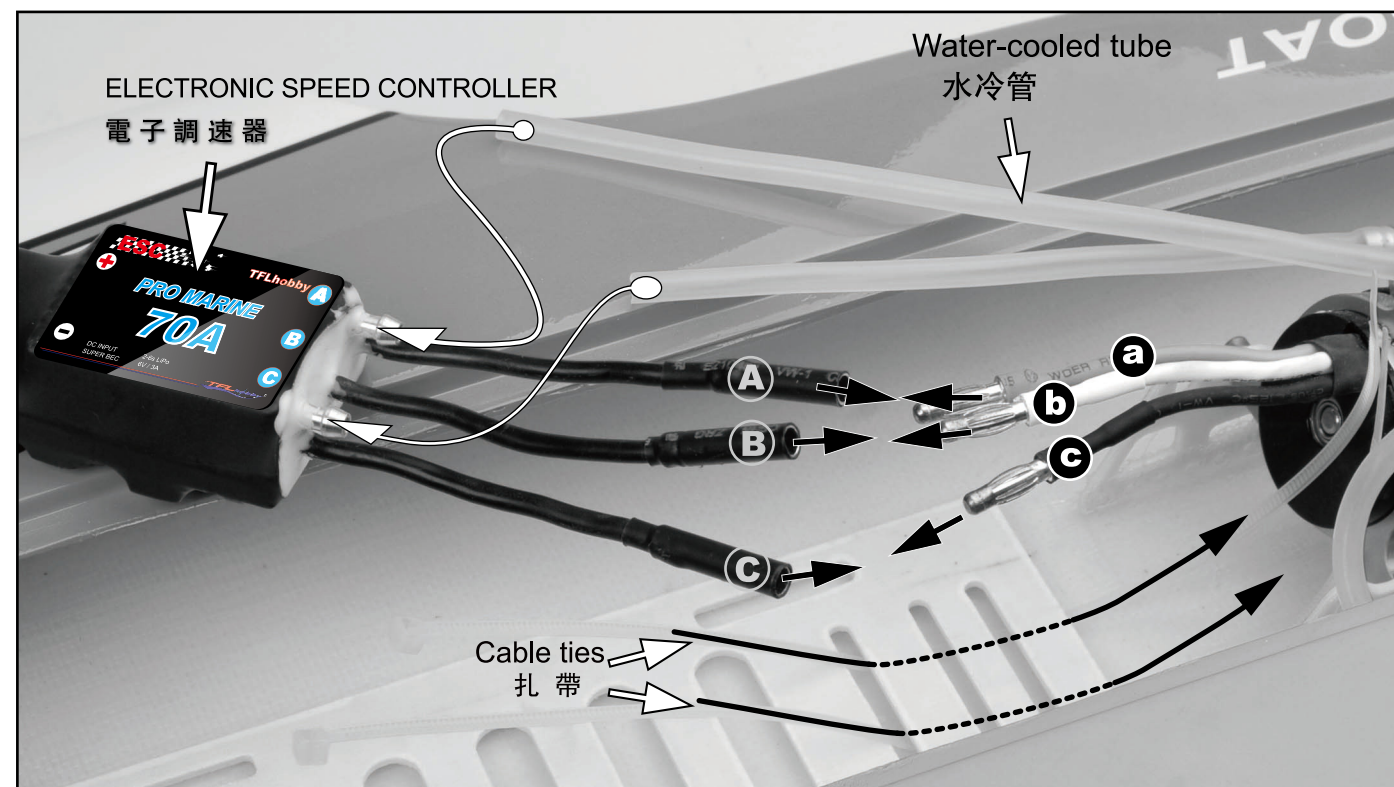
Drive line

1. Loosen the motor coupler set screws for the flex cable.
2. Slide the flex cable with marine grease.
3. Lubricate the flex cable with marine grease.
4. Lubricate the drive ball bearings with a light oil for bearings.
5. Reassemble the drive and wipe away any excess grease and oil.

軟軸保養

1. 將軟軸索頭鬆開。
2. 使用內六角螺絲刀卸下軸支架螺絲、螺母。
3. 拉出軟軸，往軟軸塗抹潤滑脂。
4. 卸下螺旋槳，往軸支架裏的軸承加注軸承油。
5. 裝回軟軸并清除多餘的潤滑脂。

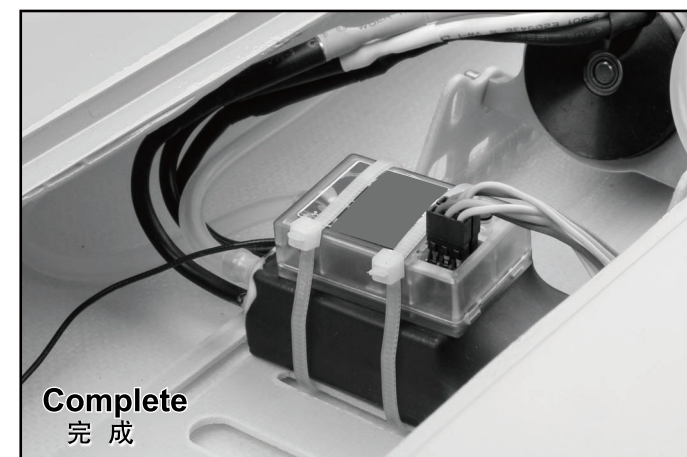
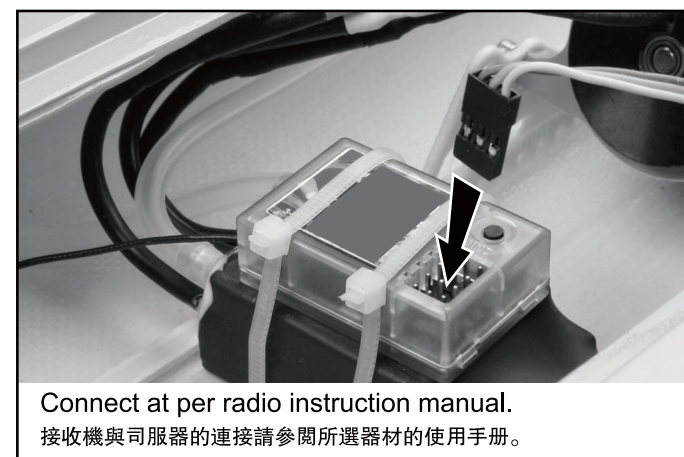
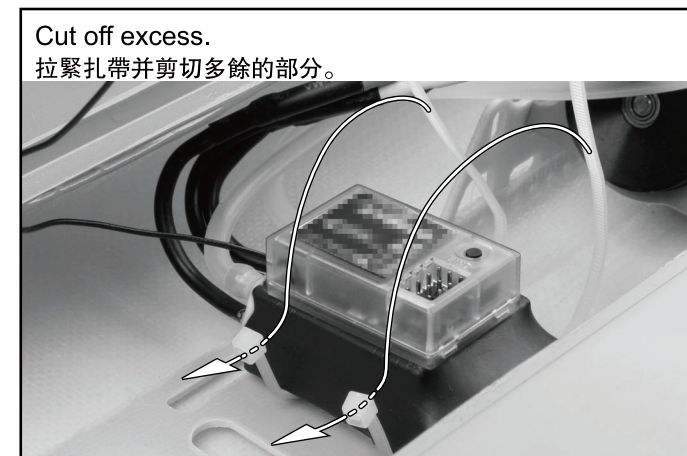
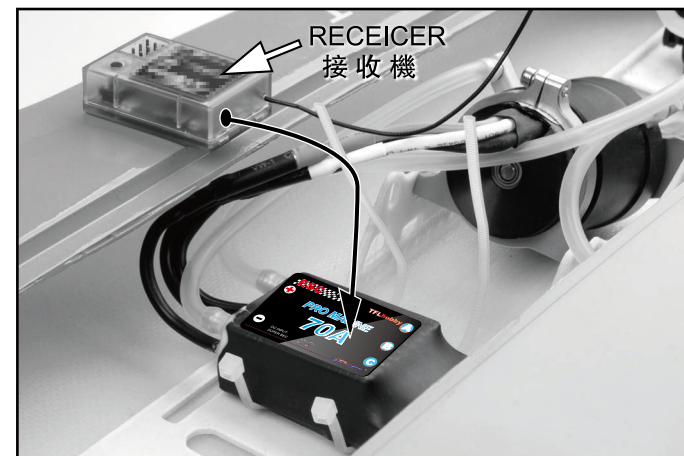
ESC 電子調速器



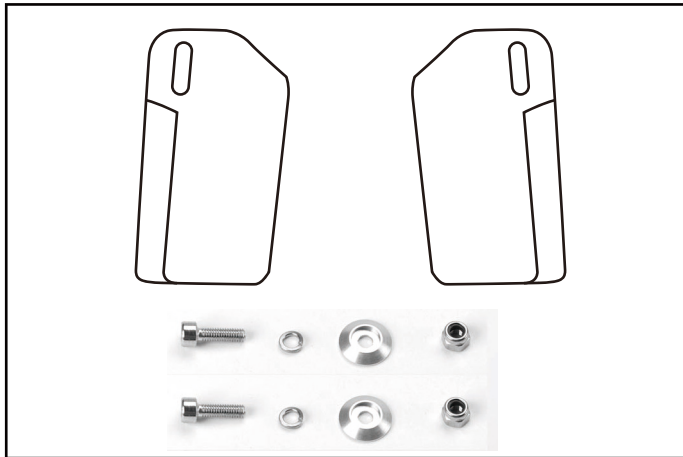
Notice: Respectively connect **A B C** and **a b c**, any adjust between these lines will change rotation of motor.

提示: **A B C** 和 **a b c** 連接時，調整任意一根線的連接可以改變電機的旋轉方向。

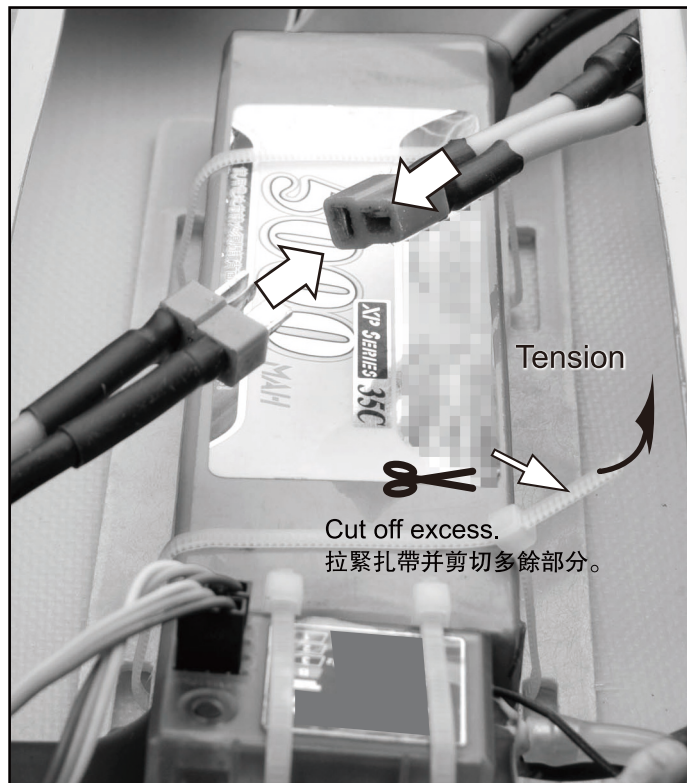
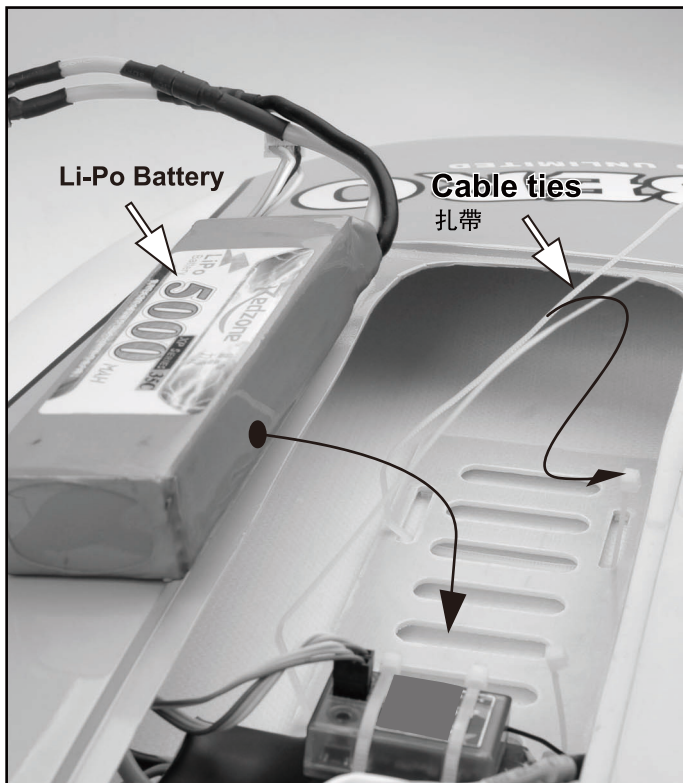
RECEICER 接收機



STABILITY FINS 穩定鰭片



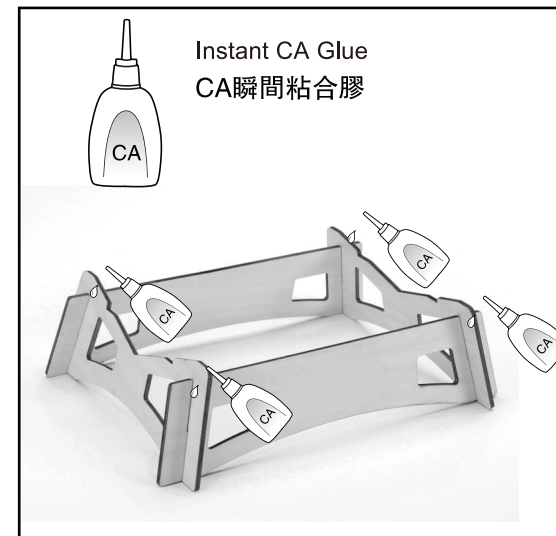
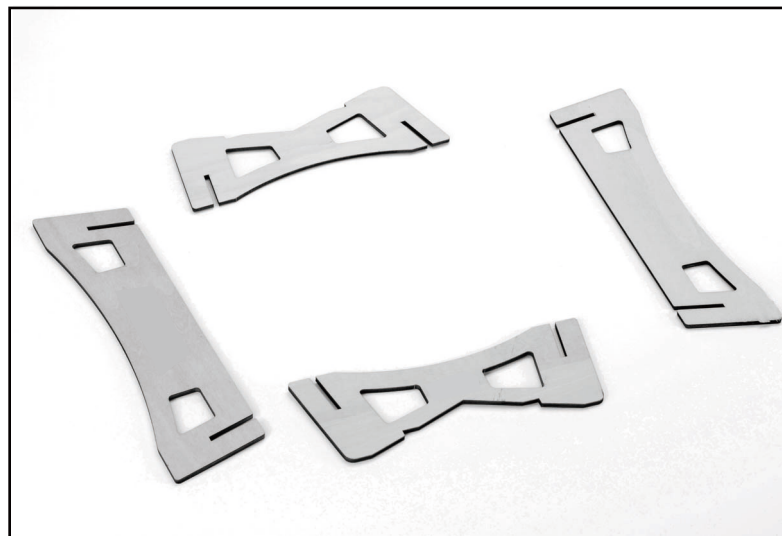
BATTERY INSTALLATION 安裝電池



Use cable ties to tighten the battery and the excess part of the cutting.
使用扎帶將電池緊固并將多餘部分裁切。
Li-poly rechargeable battery must be purchased separately!
鋰電池另外購買包裝內不包含。

Connect the cords only when running the boat.
電源插頭在船祇出航前連接，注意極性。

BOAT STAND 船座

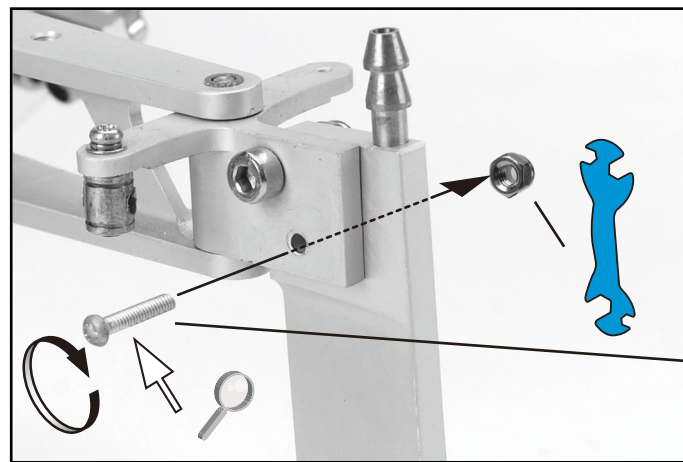
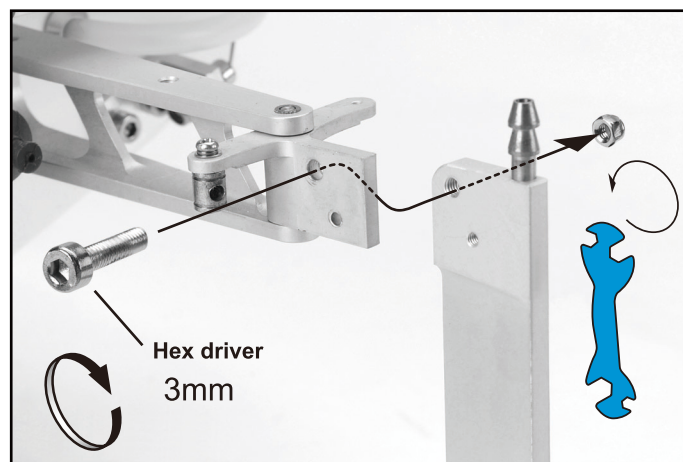


INSTALLING THE PROPS 安裝推進器



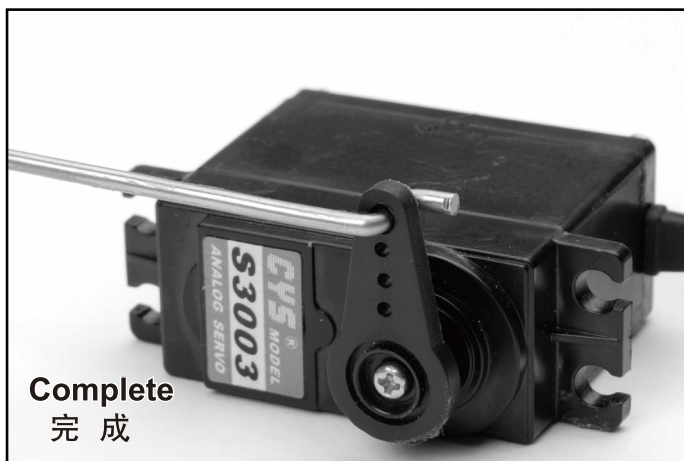
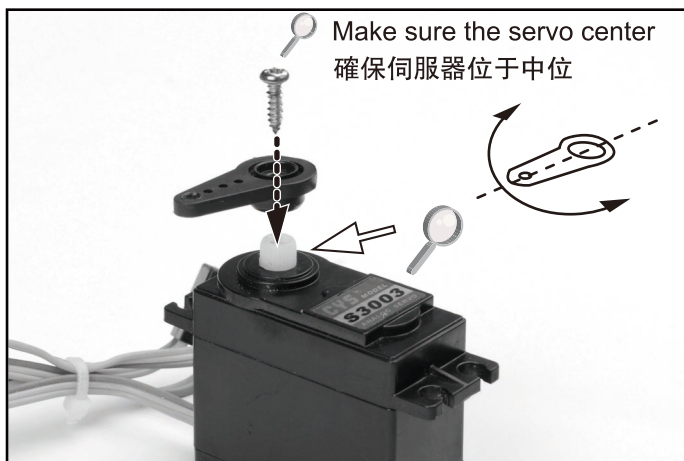
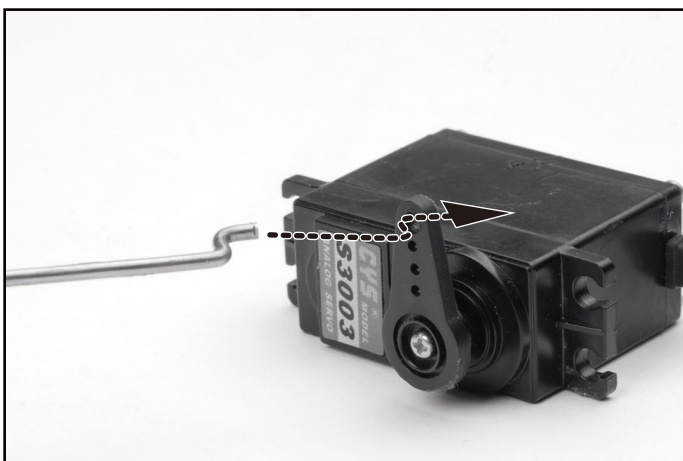
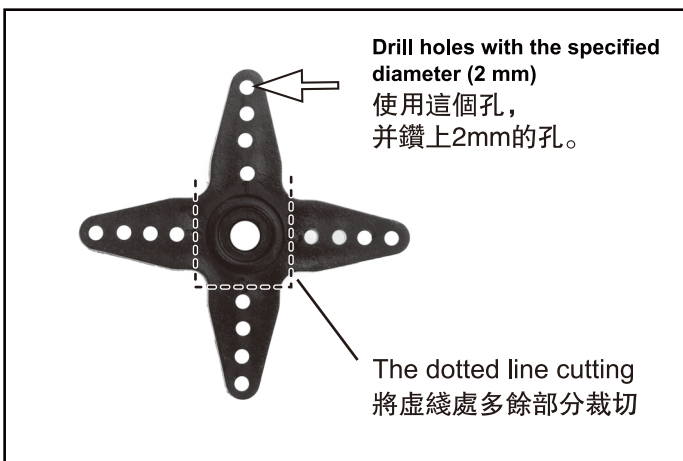
INSTALLING THE RUDDER

轉向舵



INSTALLING THE RUDDER SERVO

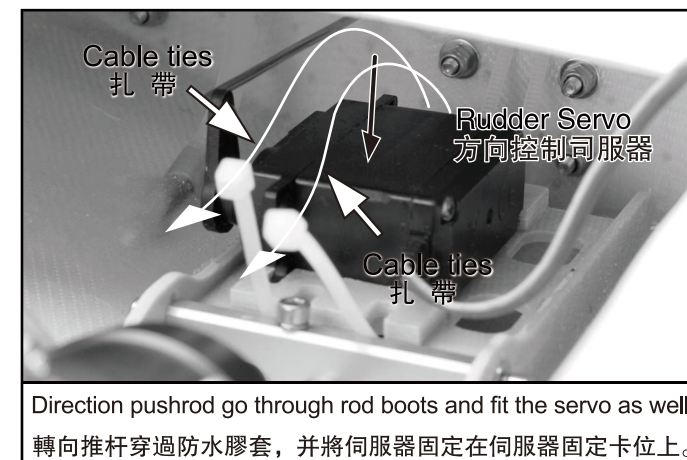
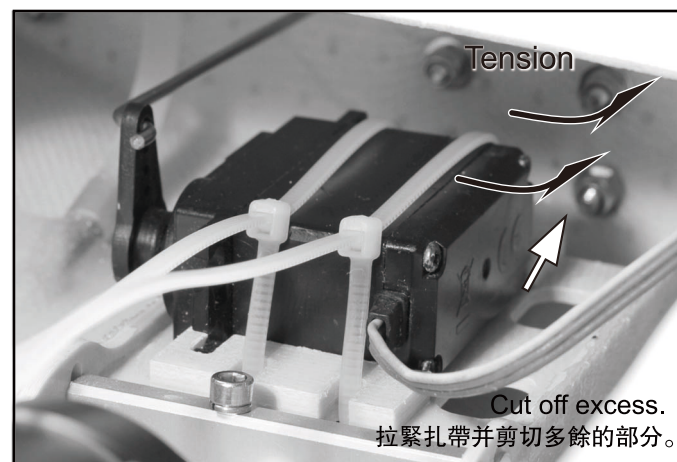
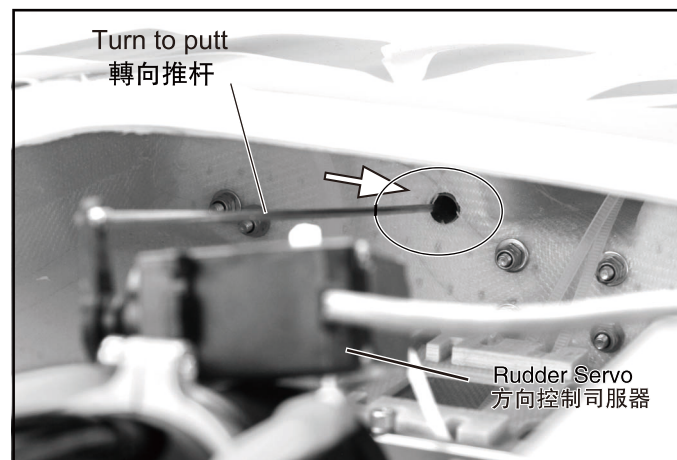
舵伺服器安裝



Complete 完成

INSTALLING THE RUDDER SERVO

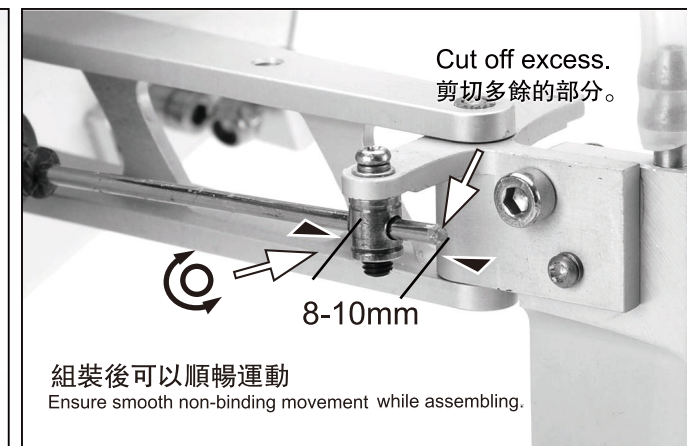
舵伺服器安裝



Direction pushrod go through rod boots and fit the servo as well. 轉向推杆穿過防水膠套，並將伺服器固定在伺服器固定卡位上。

WATER COOLING INTAKE

進水管安裝



組裝後可以順暢運動 確保平滑無阻運動

