

# RCGF 10CC Operator's Manual

(note: the spare parts list and dimension of engine are in the end of manual)



RCGF 10cc

Parameter:

Type : 2 cycle piston valve type gasoline engine for airplane

Displacement (cc) : 10cc (0.61 cu in)

Bore x Stroke (mm): 1.08 in (27.5mm)\*0.77 in (19.6mm)

Carburetor : RCGF

Ignition : DC-CDI (Computer Controlled auto advance, electronic ignition system)

Power supply: 4.8-8.4V

Maximum Output : 1.9 hp/1.4KW

Requires: Gasoline, 2-cycle oil, ignition battery & propeller

speed rang : 1800-12000rpm

Gasoline-Version : Pre-mixed Fuel, 25-40 (Gasoline):1 (recommended : 30:1)

(90% high octane unleaded gasoline, Import gas into carbon fiber installations valves)

Lubrication Oil : 2 cycle engine oil

Propeller : 13\*7 9800 rpm; 14\*6 9000rpm (Standard Two leafs prop)

recommended props :13 x 6, 14 x6,13X8,13X7.

Cooling System : Air Cooled

RCGF engine package Includes: electronic CDI ignition, muffler, spark plug, gaskets, bolts, throttle arm extension & manual.

Weight :

Engine: 0.93 lb (420 g)

Muffler: 1.4 oz (40g)

Ignition Module: 4.1 oz (115 g)

Total: Weight: 1.26 lb (570 g)

Technical Data:

Ignition Battery: 4.8-8.4 NiCd or NiMH, 6.6V LiFe or 2S LiPo pack

Gasoline/Oil Mix: 30:1

Replacement Spark Plug: NGK CM6 or equivalent

Idle Speed: 1800 rpm/min

Static Thrust:

8.38 lb (3.8 kg) @ 328 ft (100 m) altitude

7.94 lb (3.6 kg) @ 5,900 ft (1800 m) altitude



## SPARE PARTS LIST

- (1) 1pc RCGF-10cc Gas Engine
- (2) 1pc RCGF Spark Plug (1/4-32 (120) ).
- (3) 1pc Muffler with gasket and 2pcs bolts (M4X20 mm)
- (4) 4pcs mounting bolts M4 x 25 mm
- (5) 4pcs mounting bolts M5 x 30 mm
- (6) 1pc Electronic Ignition Module with additional tachometer lead
- (7) 1 pair RCGF beam mount

## Safety Tips and Warnings

- This engine is not a toy. Please place your safety and the safety of others paramount while operating. RCGF will not be responsible for any safety issues or accidents involving this engine.

- Operate the engine in a properly ventilated area.
- Before starting the engine, please make sure all components including the propeller and the engine mount are secure and tight. It is strongly recommended that a good quality screw sealant is used during engine installation.

- During the break-in period, it is recommended that the engine be installed on the aircraft or a test stand with an appropriate shock absorber. Otherwise it is probable that vibration could rebound back to the engine and serious damages may occur during the break-in period.

- For your safety and the safety of others, please do not stand in front or in line with the propeller when the engine is running. Keep onlookers away from the running engine, especially small children.

- Always use a balanced spinner and a balanced propeller. An unbalanced spinner and propeller combination will cause high levels of vibration and may cause the propeller shaft to break. Always use a lightweight spinner on your engine. Lightweight spinners are considered to be those with a cone wall of 1mm or less. Heavy spinners could cause the propeller shaft to break. Securely tighten the spinner and propeller on the engine to prevent it from being thrown off the engine while running.

- Never use a propeller that has hit the ground. Even though it may look good from the outside, it may be cracked on the inside which may cause it to disintegrate while in use. Do not use a nicked, cracked or split propeller.

- Keep foreign objects away from the propeller. Make sure that nothing can be “sucked in” by the propeller.

- Never start the engine on loose gravel or sand.

- Do not attempt to stop the engine by throwing anything into the path of the propeller.

- Make sure the fuel line is well-secured to the engine and to the fuel tank so that it won't come off in flight.

- Do not use silicone fuel line because it will be dissolved by the fuel. Use gasoline approved vinyl or neoprene rubber fuel line. Always secure the fuel line away from the cylinder. The engine's heat can damage the fuel line.

- Never touch the engine immediately after a run. The engine will be hot.

- Before transporting your model, remove all the fuel from the fuel tank and fuel lines.

- Always use high-quality oil intended for 2-stroke (2-cycle) engines. It's a good idea to use a petroleum based 2-cycle motor oil like Lawn Boy All Season – Ashless, Generation II oil for the break-

in period. Break-in should be considered about the first 3-5 gallons you run the engine. A high quality synthetic 2-cycle oil is recommended for optimum performance and a longer engine life. Synthetic 2-cycle oils leave fewer combustion byproducts than natural oil

which can foul the engine and exhaust ports, resulting in reduced performance. Synthetic oils also reduce friction and provide more fluidity at low temperatures.

- Do not install your throttle servo or kill switch servo inside the engine compartment. Doing so could cause radio interference. Install all electronic radio devices as far away from the engine as possible.
- The throttle and choke pushrods should be non-metallic.
- If the engine is not to be used for more than a month, drain the fuel tank and remove any fuel from inside the carburetor. Do this by running the engine at idle until it quits by running out of fuel. Keeping gasoline inside the carburetor over an extended period of time will damage the diaphragm valve and clog passages inside the carburetor. Due to the carburetor being more complicated than those used in glow engines, keep the fuel clean by using a fuel filter. Use a filter intended to be used with gasoline engines. Metal filters intended for glow engine are too coarse and will not screen out finer particles.
- Always filter your fuel by using an appropriate filter before putting it into the airplane's fuel tank.
- Gasoline is extremely flammable. Keep it away from an open flame, excessive heat or sources of sparks.
- Do not smoke near the engine or the fuel tank.
- This engine was designed for use in a model aircraft. Do not attempt to use it for any other purpose.
- Always install an ignition system kill switch on the aircraft used.
- Caution: Running the engine with a lean gas mixture will cause the engine to overheat and burn the electrode of the spark plug. Pay close attention to the High-speed Needle adjustment. Running the engine with the proper gas mixture will cause the spark plugs to appear yellow at the ignition point.
- For optimum performance please use fresh or recently purchased 93 octane gasoline (87 octane gasoline will suffice) with a 30:1 gas/oil mixture.

## **GAS/OIL Mixing Chart**

1 Gallon Gasoline (128 fl oz/3.78L) / 2-Cycle Oil  
(4.26fl oz/125.68ml) = 30:1 ratio

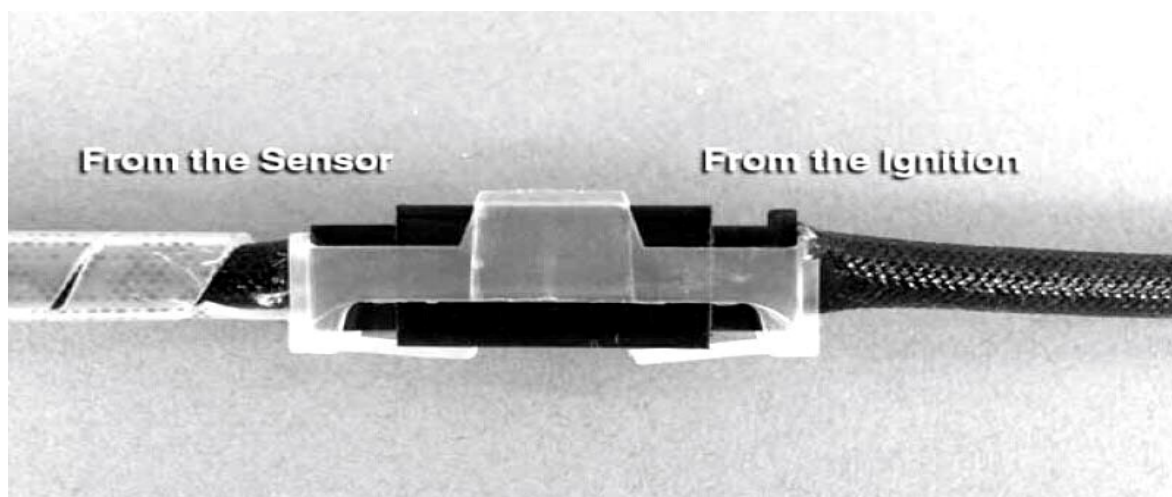
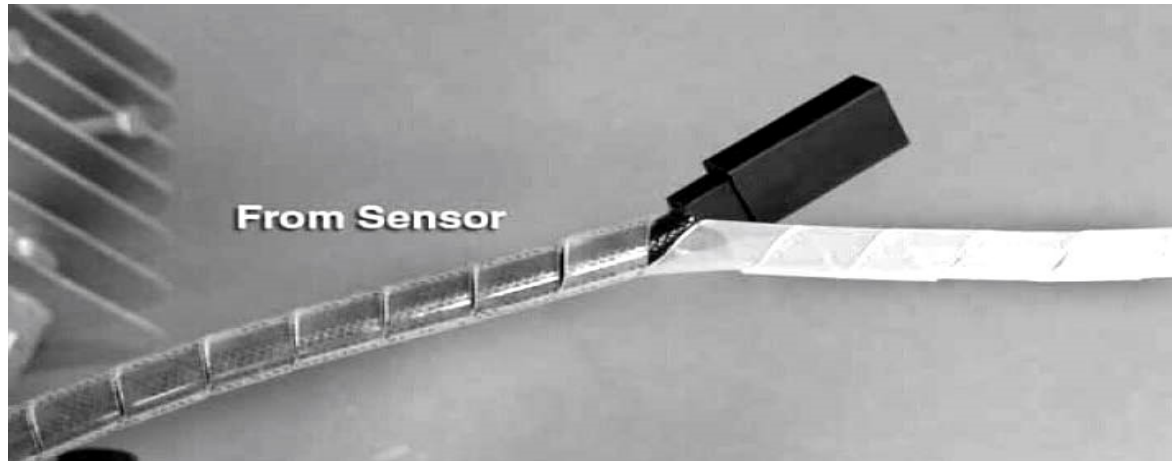
- Excessive running of the engine at idle speed can result in a seriously carbonized spark plug.
- Keep the surface of the engine clean to ensure proper heat dissipation. Ensure proper cooling/ventilation around the cylinder with adequate air exhaust.
- To avoid permanent damage to the electronic ignition system, never rotate the propeller on your RCGF engine with the electronic ignition system switched on and the plug not installed in the plug cap.

## **Installation Instructions**

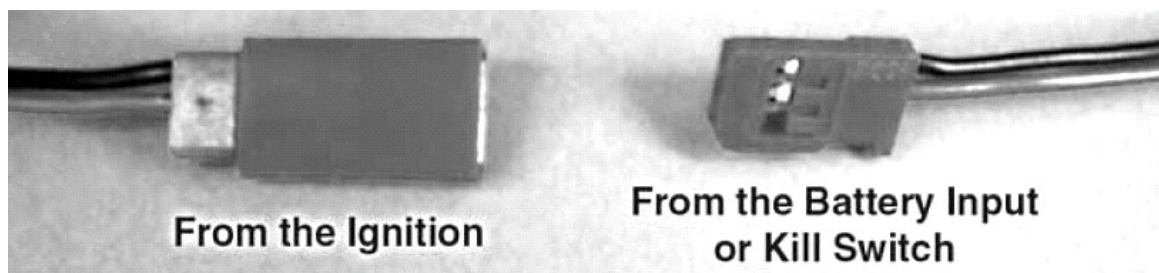
### **Prepare the engine for installation**

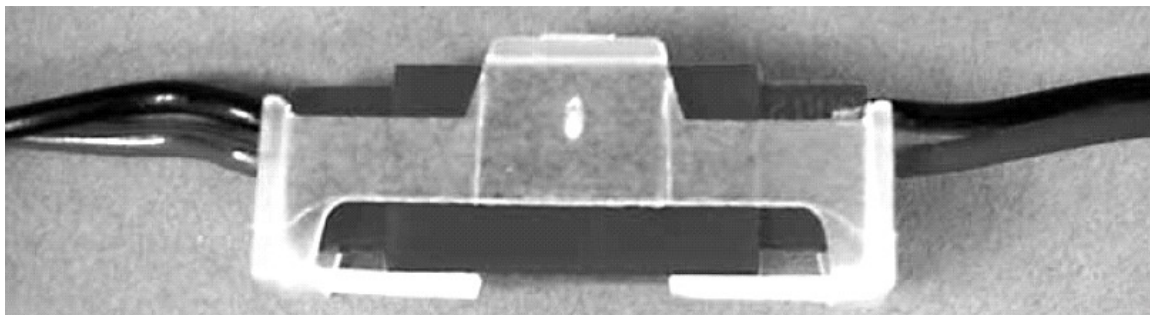
Before beginning installation it's a good idea to plan location of the various components of the engine. Many of the following steps may need to be completed in a different order than listed.

1. Check to see that all screws and bolts are tight. Check carefully for any cracks, broken, or missing parts. Tighten or replace any damaged or missing parts before proceeding.



2. Install the silicone wire cover over the pick up lead coming from the engine (cut the excess silicon wire cover) and connect the lead to the pick-up lead from the Electronic Ignition Module. Secure the connection with the included three pin connector securing clip.

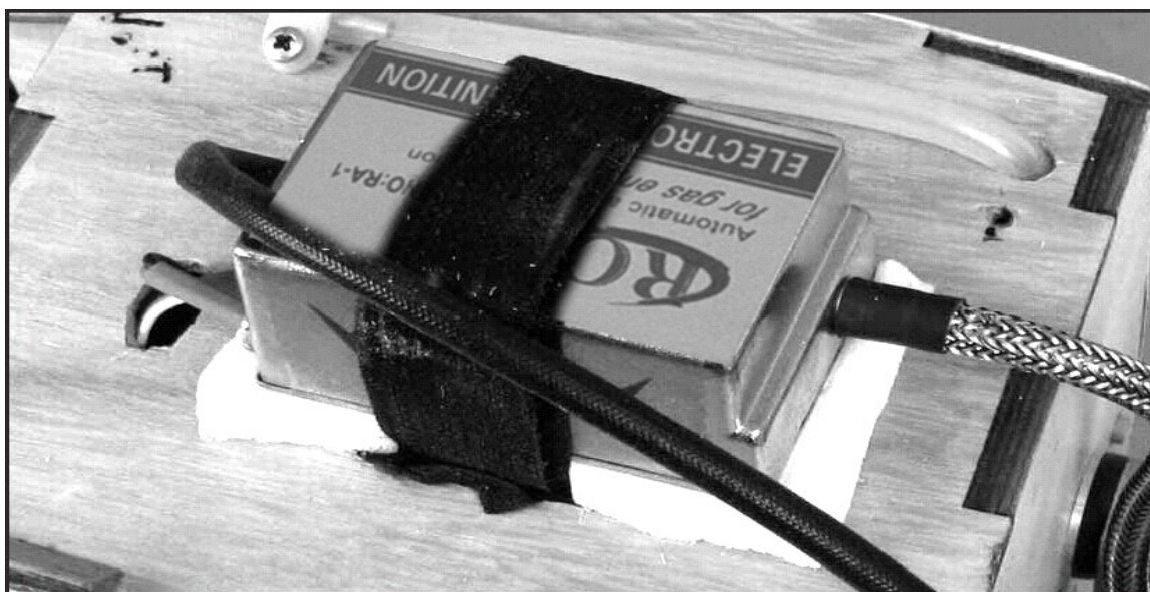




3. Connect the kill switch lead to the red connector from the ignition control module using the lead from the kill switch or with the included three pin connector with pig tail. Use one of the included three pin securing clips to secure the connection.

4. Connect the ignition module battery to the kill switch. Any 4.8-6.0V, 1000mAh and above capacity battery will work well for this. Use heat shrink tubing to secure this connection.

5. Install the ignition kill switch and charge jack on the aircraft so that it is easily accessible from the outside of the plane.



6. Install the ignition module securely in the airplane forward area. It is recommended that a thin piece of foam rubber is placed between the module and the mounting surface and that Velcro ® is used to hold the module in place.

7. Secure all connections with heat shrink tubing .

8. Install the silicone ignition wire cover over the ignition wire.



9. Install the spark plug into the engine head (6-9lbs torque).

## Installing the RCGF 10cc on Your Airplane

**Note:** The RCGF 10cc must be installed on at least a 6mm [1/4"] firewall.

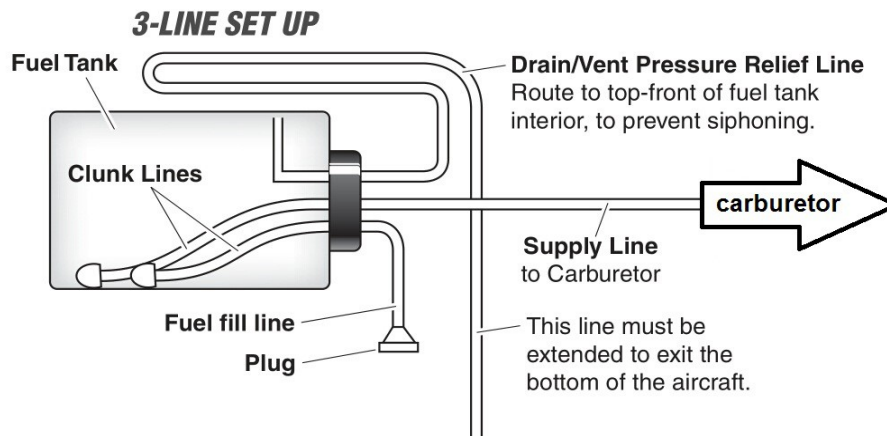
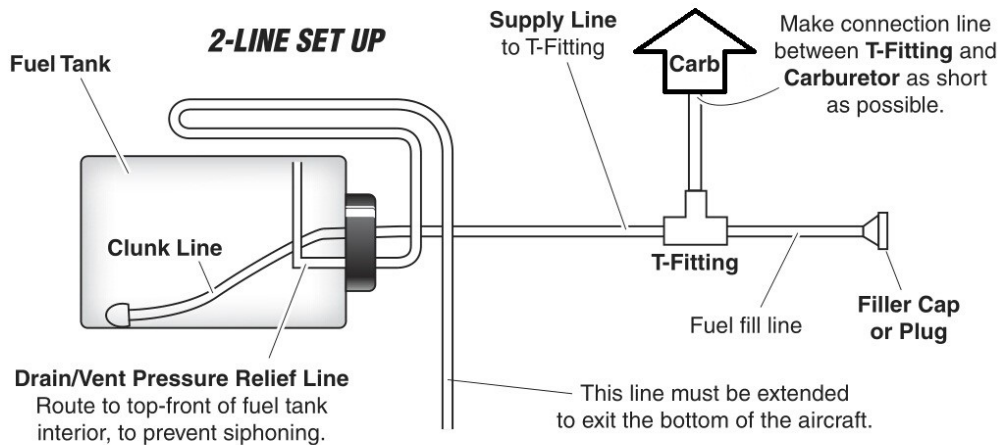
The firewall must be securely glued to the airplane. Use triangle stock and pin the firewall with hardwood dowels to reinforce the firewall glue joints. Never install the RCGF 10cc onto a firewall thinner than specified because it may fail due to the power of the engine.

**Note: Please remember to remove the prop washer(M1024) and the small blind nut, when you mount the adapter nut in your 10cc engine.**

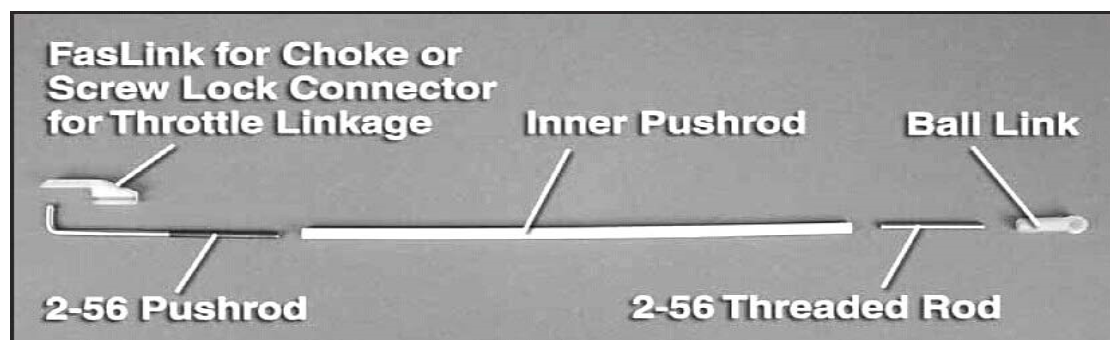
1. Select an engine mount. A two-piece engine mount that does not interconnect or overlap at the firewall is preferred for the RCGF 10cc .
2. Before securing the engine mount to the firewall, test fit the engine onto the mount and place the mount onto the firewall. Press the blind nuts into the rear of the firewall. If you choose to use regular nuts or lock nuts be sure to place washers on the bolts before securing the nuts onto the bolts on the rear of the firewall. Be sure to use Threadlocker on the screws holding the engine mount to the firewall.
3. Place the engine on the engine mount and at the recommended distance from the firewall and test-fit the cowling on the aircraft to verify the distance. When you're satisfied with the engine's position, mark the location of the four holes on the mount.
4. Remove the engine from the mount. Drill and tap the engine mount at the position of the four mounting holes. Use an appropriate size screw. It's a good idea to drill and tap all the way through the mounting beams in order to secure each screw with a lock nut.
5. Secure the four screws with lock washers, flat washers, and lock nuts.
6. Install the fuel tank in the airframe. Use only gasoline-safe fuel lines and a gasoline safe stopper. One line should go to the carburetor and the other is to be used as a vent (a vent line is simply an open ended fuel line from the fuel tank which exits the engine compartment or the fuselage; most vent lines exit at the bottom of the firewall). You can fill the tank by using the carburetor line as fill line if you have access to it or install a third line

to be used as fill line. Installing a third line is the cleanest and easiest way to add fuel. An alternative fueling set up is a 2-line system with a T-fitting approved for gasoline use. Be sure to use a filler plug with either a 2 line or 3 line set-up.

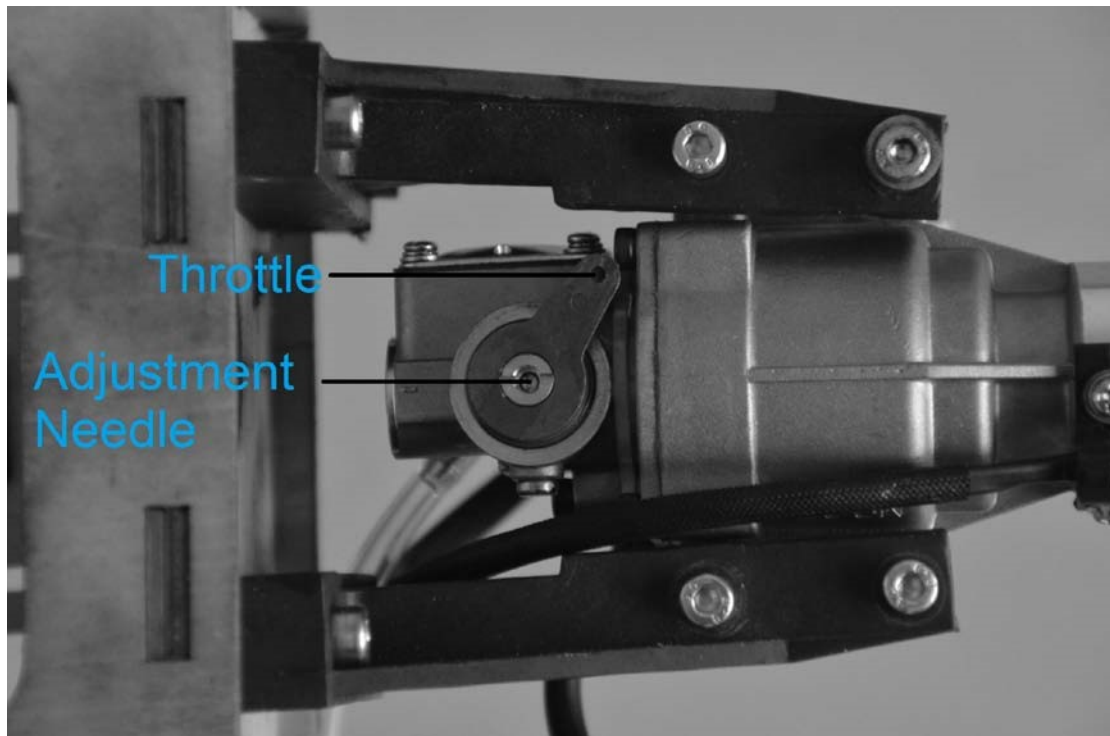
It is a good idea to add an extension to the vent line as shown, that goes up and to the rear of the tank. This helps to avoid draining fuel from the tank when the model is pointed down.



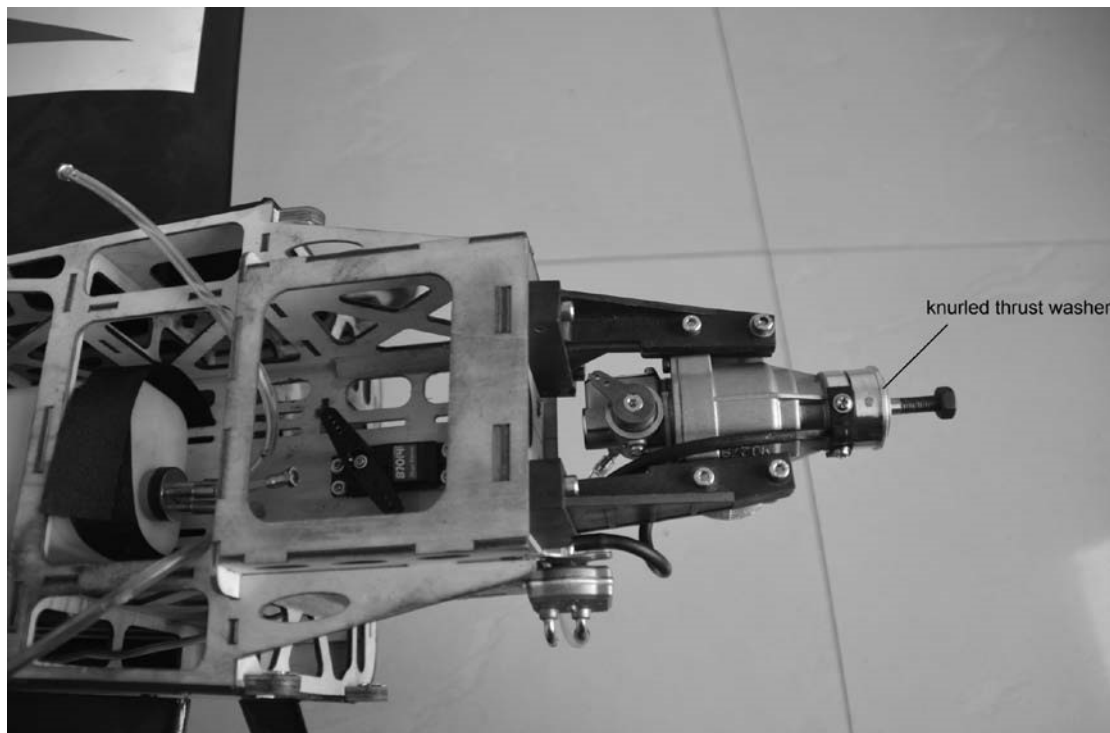
7. Install the throttle servo as far as possible from the engine. Make sure that you get the carburetor's full range of rotation with your servo travel. If needed, use the included Long Throttle Arm Extension. Be sure to use a non-metallic linkage through an outer pushrod tube and a screw lock connector so that the linkage is adjustable. Components for the non-metallic linkage can be purchased at your local hobby shop.

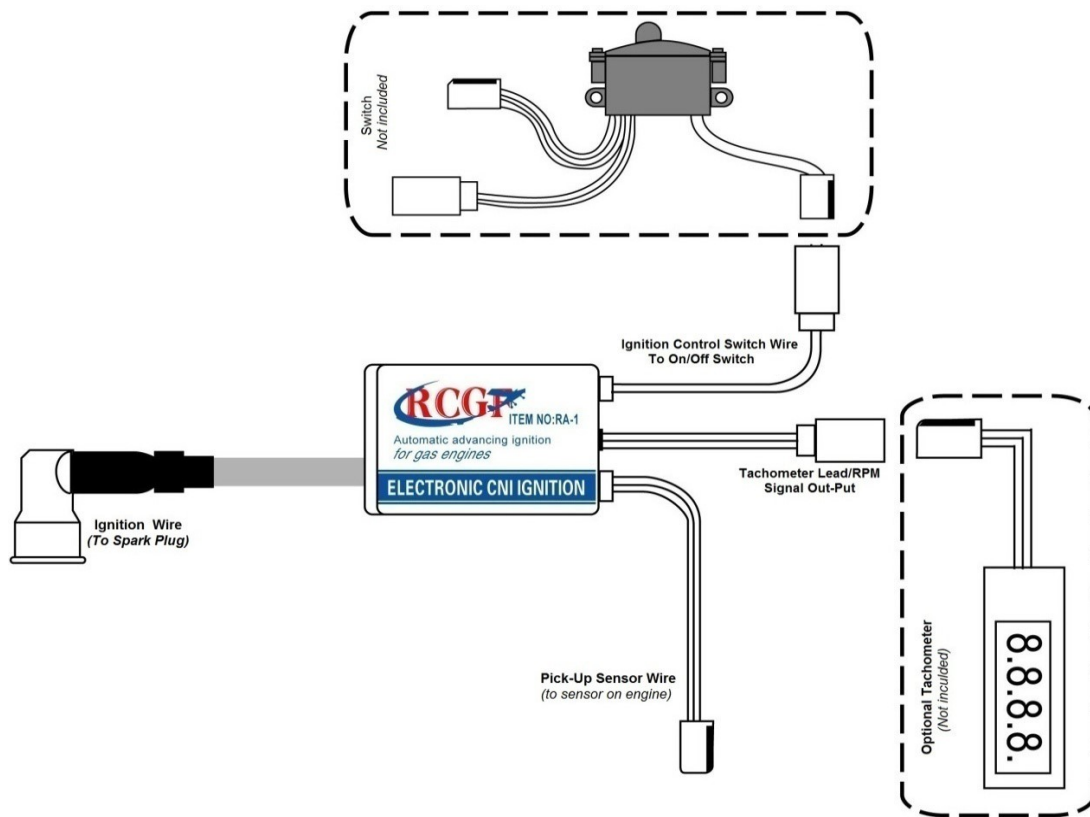






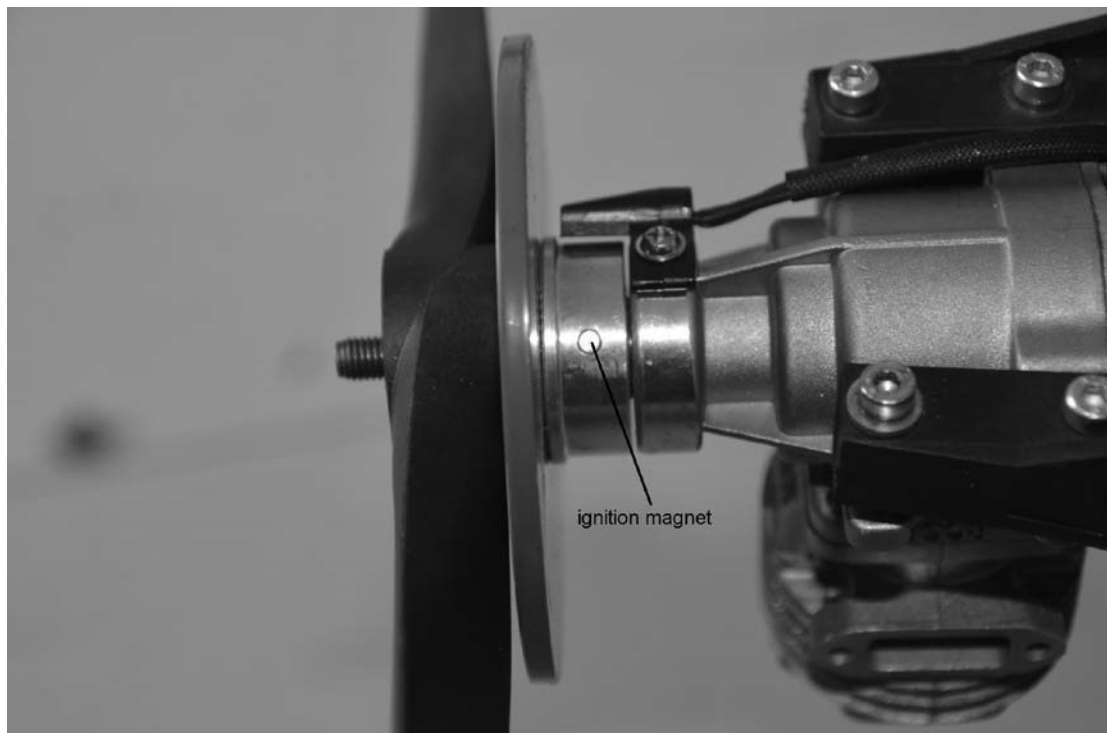
8. Connect the ignition wire from the ignition module to the spark plug.
9. Install the muffler onto the engine. Be sure to use threadlocker and that the ignition wire does not contact the muffler.
10. Cut all necessary clearance, carburetor adjustment, cooling, and exhaust holes in the cowl. A 1:3 ratio of airflow intake area to airflow exhaust area is recommended for proper engine cooling.
11. Make sure the cowl is secured to the airplane and that the knurled thrust washer protrudes from the cowl by at least 3.4mm [1/8"].





## Install the Propeller

1. It is recommended that you test-run, tune, and break-in the engine before flying. To make this easier we recommend that you remove the cowling.
2. Set the engine near the beginning of the compression stroke. Note the position of the ignition magnet with the engine inverted.



3. Place the spinner back plate on the engine and the propeller on the crankshaft at the one o'clock position.



4. Install the prop washer on the crankshaft.



5. Install the spinner cone. Be sure to use thread locker on the spinner bolt.

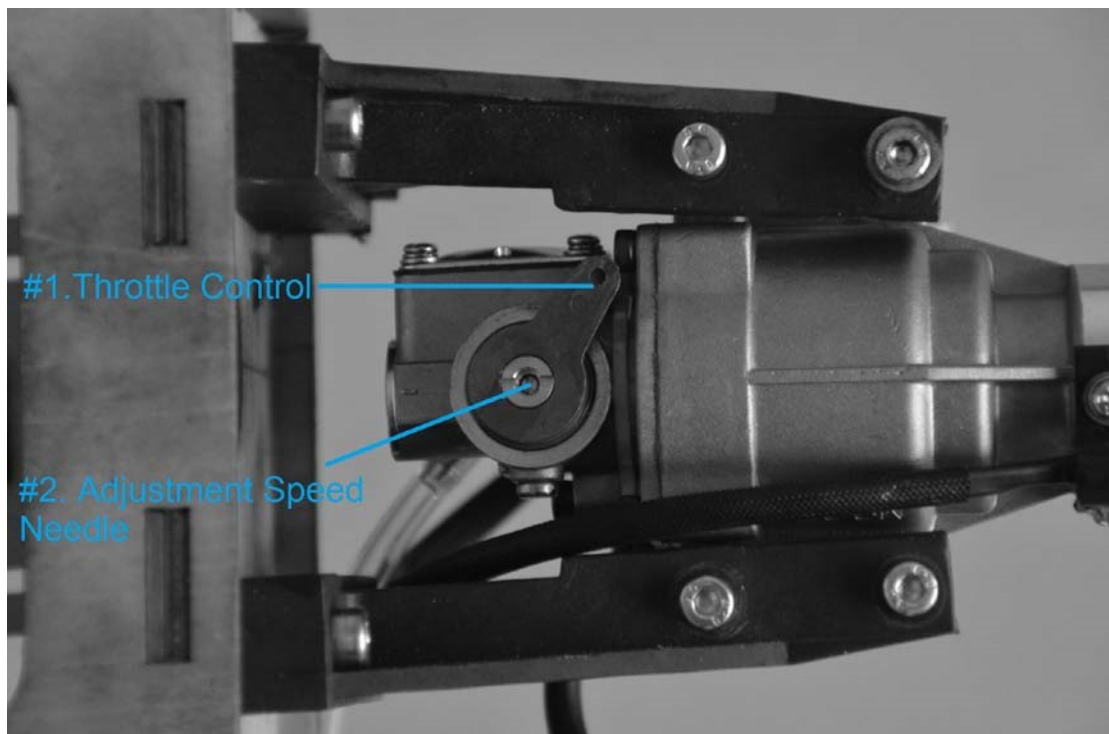


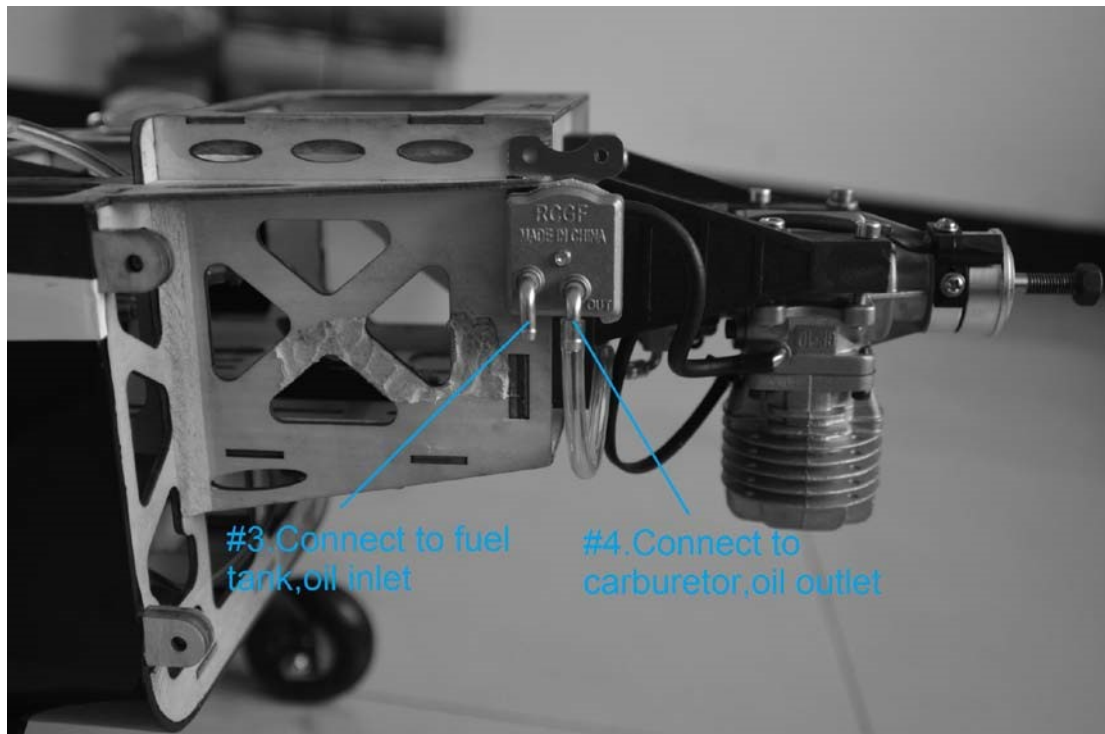
## Adjustment of the Engine

Each RCGF Engine has been factory preset. However, differences in elevation will influence the performance of the carburetor. To obtain optimum output of the engine, slight adjustment of the carburetor may be necessary.

### Engine Functions and Adjustments

**The 10cc carburetor is specially designed according to the engine. The fuel pump and carburetor is separate. And the low-speed needle and high speed needle are designed in one needle.** (The default or factory setting of the speed Needle is as follows: turn the needle to the fully stop/closed position and then turn back 2 and 1/3 turns.)





1. Throttle
2. Adjustment speed needle (Low-speed Needle and High-speed Needle)
3. fuel pump—connect to carburetor , oil inlet
- 4, fuel pump—connect to carburetor ,oil outle

## Idle Adjustment

Adjust the throttle and speed-needle to adjust the idle speed.

## Speed Needle Adjustment

**(Including high-speed needle and low-speed needle)**

The default or factory setting of the Low-speed Needle is as follows: turn the needle to the fully stop/closed position and then turn back 2 and 1/3 turns.

Such as: APC 13X6 the fully stop/closed position and then turn back 2 and 1/4.

APC 13X7 the fully stop/closed position and then turn back 2 and 1/2

APC 13X8 the fully stop/closed position and then turn back 2 and 3/4.

The above carburetor setting is the result according to factory tests. For different altitude and circumstance ,the setting will be a little different. The above information is for your reference only.

## Ignition Timing Adjustment

The ignition timing is preset on the RCGF10cc at 28-30° before Top Dead Center (TDC). The ignition timing can be advanced or retarded by loosening the ignition sensor Phillips head screws and sliding the sensor to the full extent clockwise (32° advancing the ignition) or counter clockwise (26° retarding the ignition). Be sure to retighten the Phillips head screws after adjusting the ignition timing. It is best to attach the sensor with the

screws centered in the slot as a starting point.

**Advancing the timing causes combustion to occur earlier resulting in higher performance of the engine. However, advancing the timing also causes higher engine temperatures and can cause premature wear of internal engine components.**

## **Carburetor Adjustment Troubleshooting**

Problem: If you find the 10cc engine is not stable or can't reach high speed , please slightly adjust the speed needle by clockwise direction or counterclockwise direction ,and then stop adjust it when the engine run smoothly.

## **Starting Procedures**

When starting the engine the first time and during break-in it's recommended that you run the engine without the cowling. Also, for safety reasons do not adjust the carburetor while the engine is running. There are two recommended ways to start the RCGF 10c:

### **A. Manual Starting**

Note: When hand starting the RCGF 10cc, use a thick glove or heavy duty starter stick to protect your hand.

1. The propeller should be installed on the drive washer at the one o'clock position and at the beginning of the compression stroke so that it's comfortable to flip it through compression.
2. Have someone help you hold the airplane while you start the engine.
3. Switch the ignition to ON, open the throttle slightly from the idle position.
4. Flip the propeller counter clockwise several times briskly, until a popping sound is heard. This indicates that the engine is firing.
- 5 Set the throttle to a high idle. Set the propeller so that it is at the beginning of the compression stroke.
- 6 Flip the propeller through compression rapidly. If this is done properly, the engine will start after several brisk flips of the propeller.
- 7 After starting, let the engine idle for 40 to 50 seconds. Open and close the throttle slowly until the engine runs smoothly at idle and at full throttle. Acceleration should also be smooth. If acceleration is not smooth, adjustments to the carburetor may be necessary (see Adjustment of the Engine.)
- 8 If your engine does not start, repeat steps 2-7

### **B. Electric Starter Starting**(the recommend starting way)

A 12V electric starter is recommended to start the RCGF 10cc

1. Make sure you use a good quality, lightweight aluminum spinner.
2. Have someone help you hold the airplane while you start it.
3. Switch the ignition to ON, open the throttle slightly from the idle position.
4. Use your electric starter to turn the engine over for several seconds, until a popping sound is heard. This indicates that the engine is firing.
- 5 Set the throttle to high idle and use your electric starter to turn over the engine until it

starts.

6 After starting, let the engine idle for 40 to 50 seconds. Open and close the throttle slowly until the engine runs smoothly at idle and at full throttle. Acceleration should also be smooth. If acceleration is not smooth, adjustments to the carburetor may be necessary (see Adjustment of the Engine).

7 If your engine does not start, repeat steps 2-6

## Engine Troubleshooting

If your engine fails to start after the preceding starting procedures please check the following.

Symptom	Diagnosis	Fix
Engine does not fire	Ignition battery voltage low	Charge or replace battery
	Battery wires faulty or loose	Replace wires or Re-connect/check connections
	Faulty spark plug or not firing	Replace spark plug or check for spark
	Engine flooded	Remove plug, disconnect fuel line, rotate prop to remove fuel
Engine starts, then rpm increases till engine cuts out	Fuel not reaching engine	Check for: a) fuel in tank b) fuel tubing cut, blocked, or kinked c) carburetor clogged

This can be done by removing the spark plug from the cylinder and attaching the plug on the outside of the crankcase. Have an assistant turn the engine over while checking this and be sure to have the spark plug firmly plugged into the ignition wire.

**Warning:** The high voltage from the ignition can cause bodily harm, especially when checking for spark in this manner.

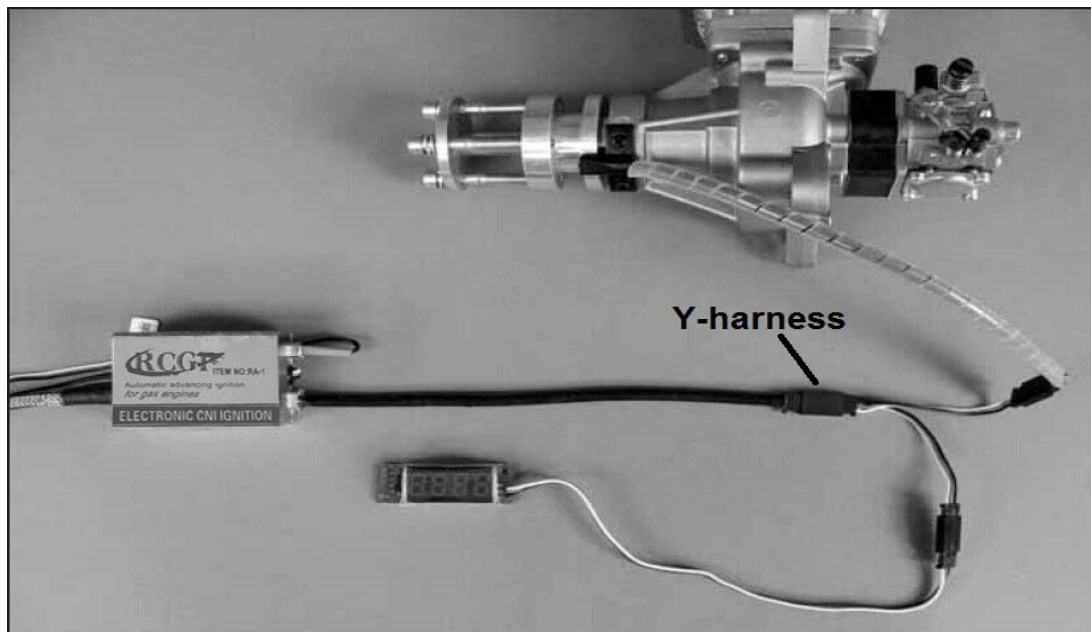
## Optional Digital Tachometer (not included)

An optional Digital Tachometer is available that can be directly connected to the ignition and display the RPM of the engine. The Futaba ® DSC Charge Adapter can be mounted

in the fuselage and allows easy external plug-in of the Digital Tachometer.



Many of the RCGF Ignition modules have an additional lead to plug into the Digital Tachometer. If your ignition module does not have this additional lead, the Digital Tachometer can still be used. Simply use the Y-harness (included with the Digital Tachometer) to connect to the pick-up lead from the engine. Be sure to secure all connections and to secure the Digital Tachometer or leads on the aircraft used.



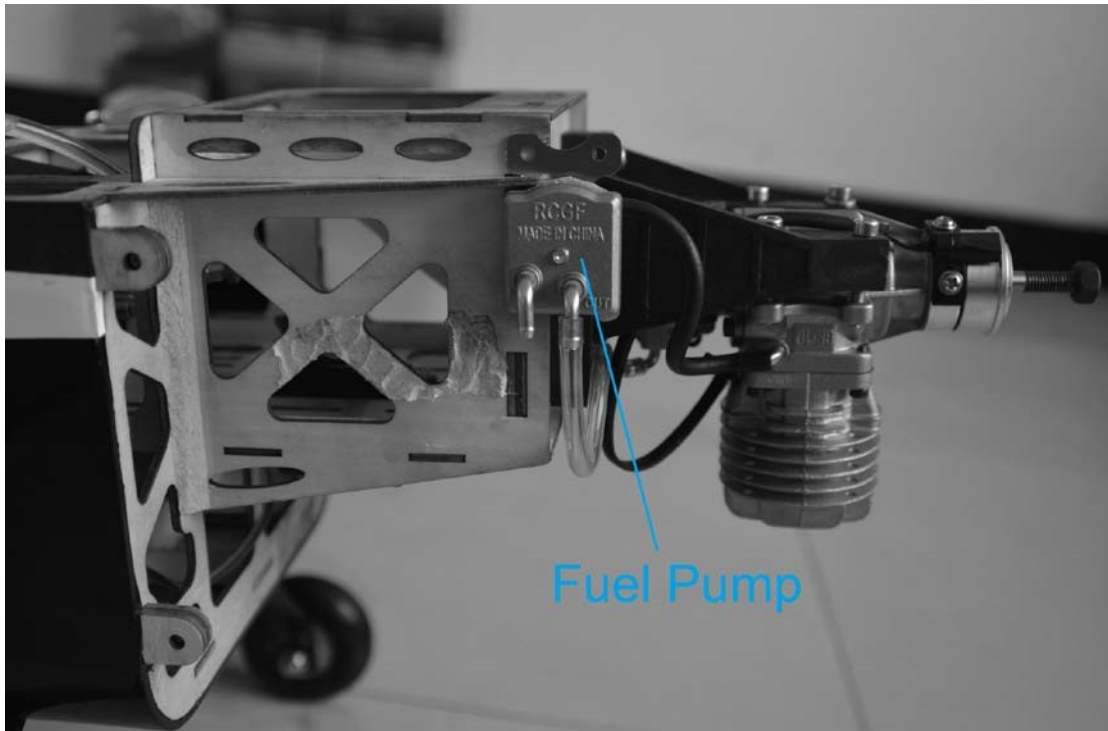
RCGF 8.4 V Ignition modules use the Digital Tachometer





### Engine Maintenance

Please clean the fuel filter in the RCGF Carburetor periodically. Failure to do so may result in miss-calibration of the needle adjustments. In order to do this it is necessary to remove the Phillips head screw which secures the carburetor filter cover and the carburetor filter gasket. Use only carburetor cleaner to clean the opening around the filter



If you need carburetor spare parts please contact our service center on local.

## Warranty Information

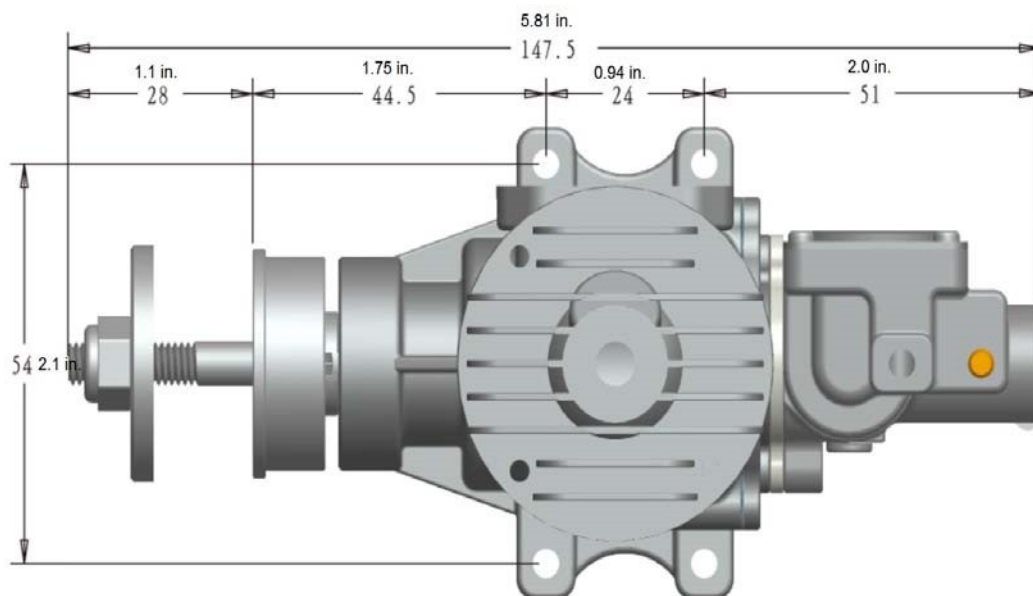
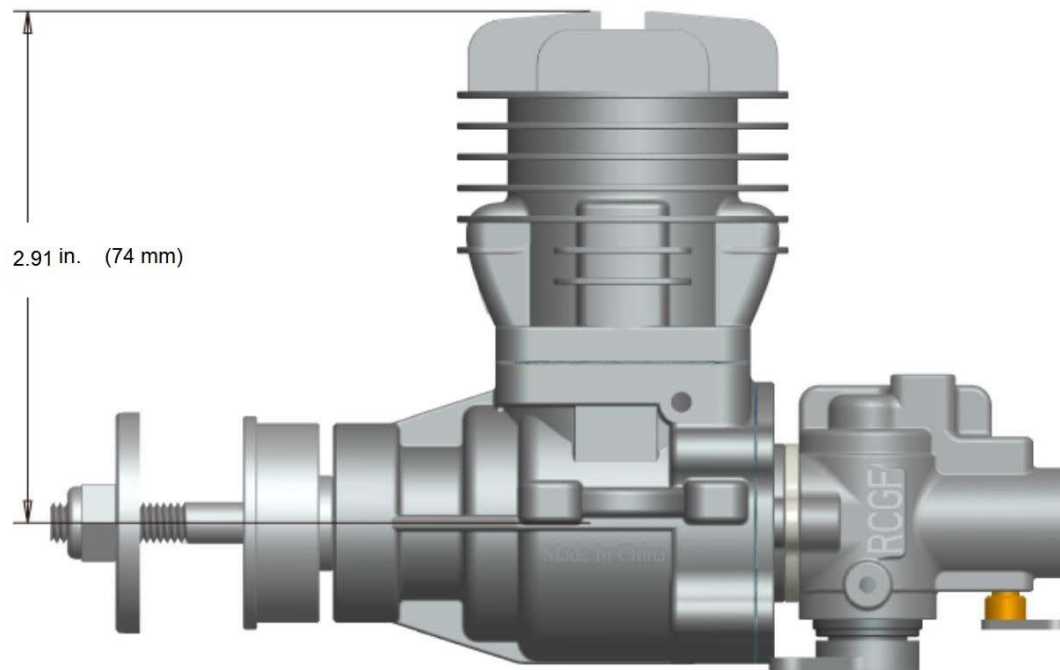
The RCGF-10cc has a two year limited warranty through RCGF service center

beginning at the date of purchase. Please retain your receipt as your proof of purchase.

## Contact Us

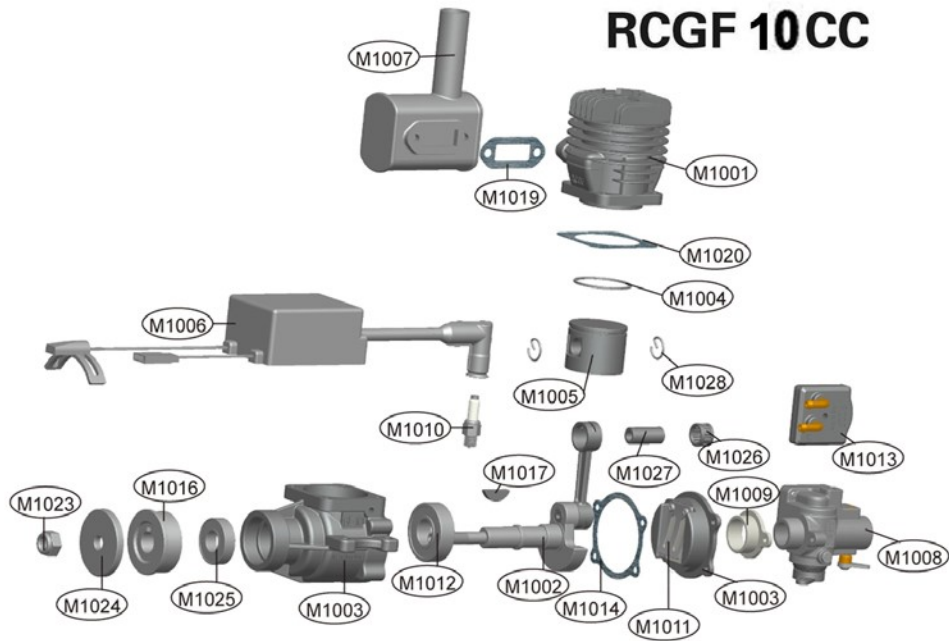
[www.rcgfengine.com](http://www.rcgfengine.com)

[www.rcgfservice.com](http://www.rcgfservice.com)





# RCGF Engine Spare part



Item	Description	Accessory Number
1	CYLINDER	M1001
2	CRANKSHAFT accessory	M1002
3	CRANKCASE SET(front)	M1003
4	CRANKCASE SET(rear)	M1003
5	PISTON accessory	M1004+M1005+M1027+M1028+M1026
6	PROP HUB accessory	M1016+M1024+M1023
7	BEARINGS	M1012+M1025
8	IGNITION SET(included sensor)	M1006
9	GASKET SET	M1020+M1019+M1014
10	WRIST PIN BEARING	M1026
11	REED VALVE & INSULATOR	M1011
12	CARBURETOR	M1008 M1013
13	SPARK PLUG	M1010
14	MUFFLER	M1007
15	SCREW SET	M1088

^