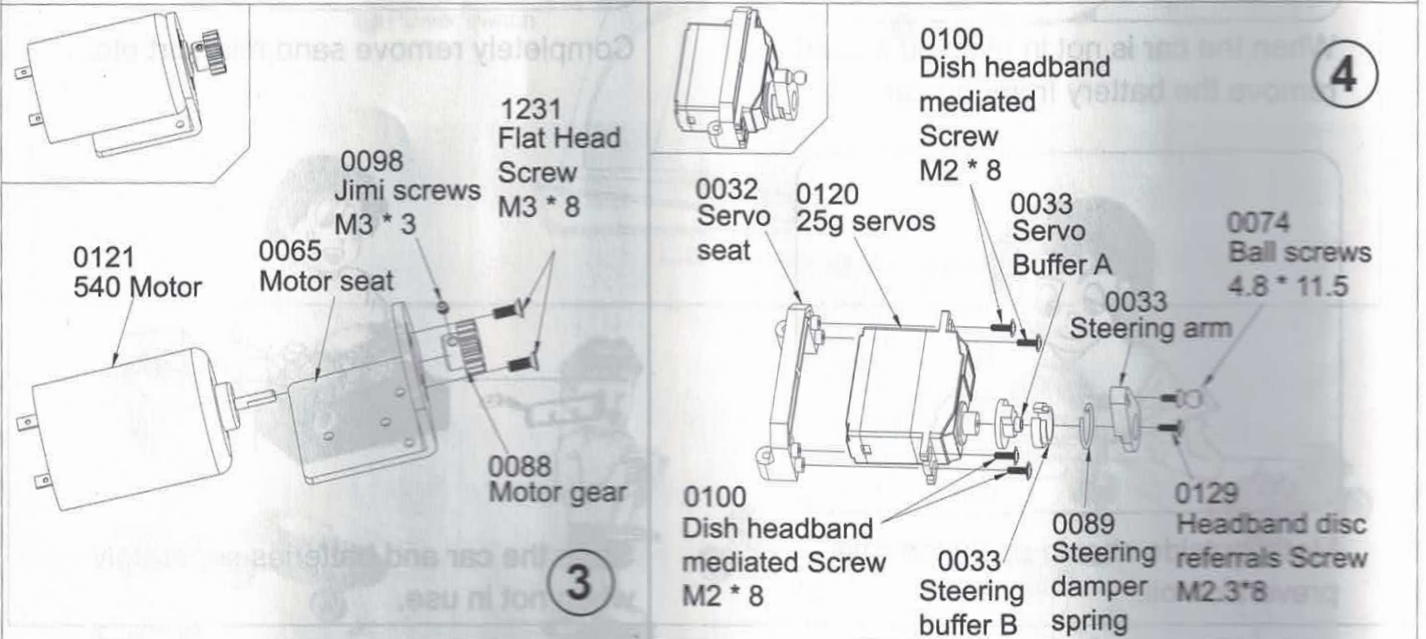
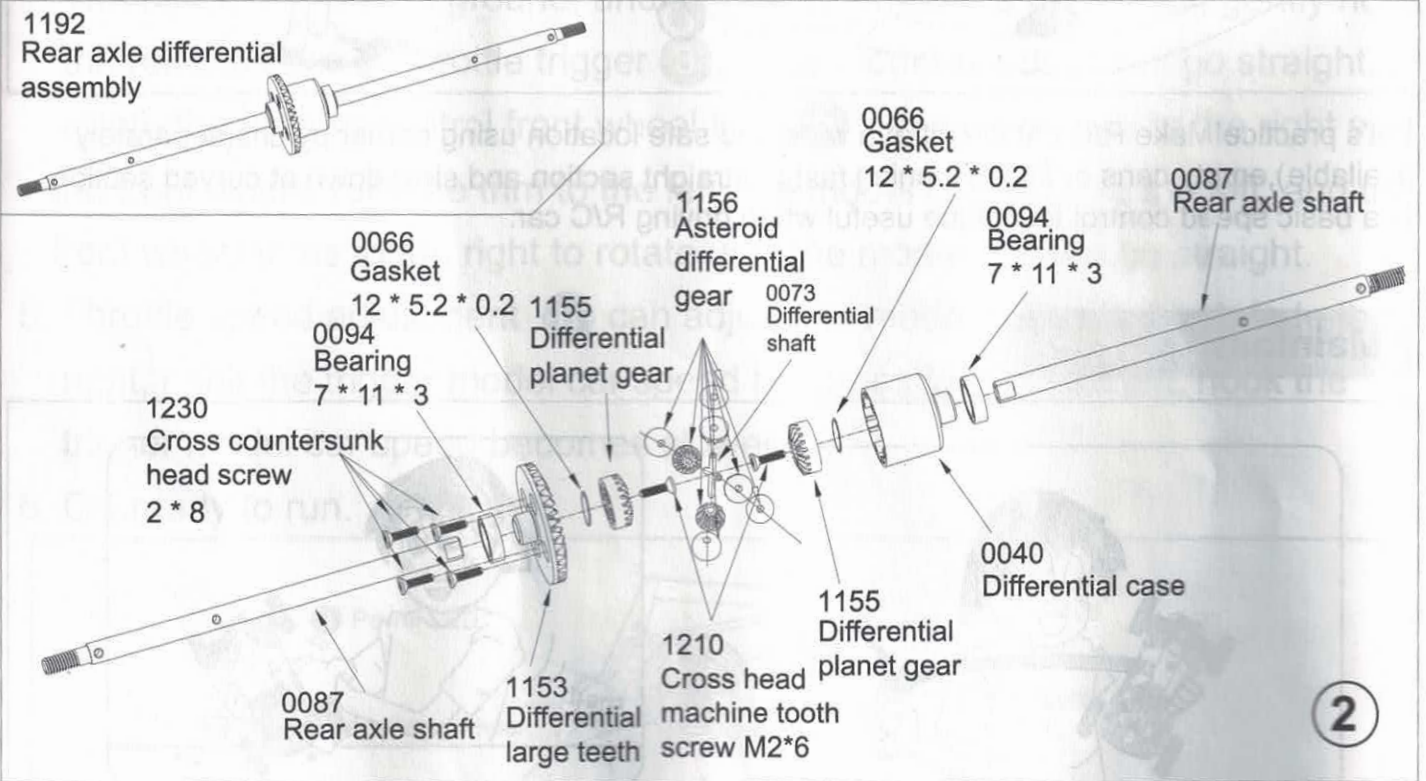
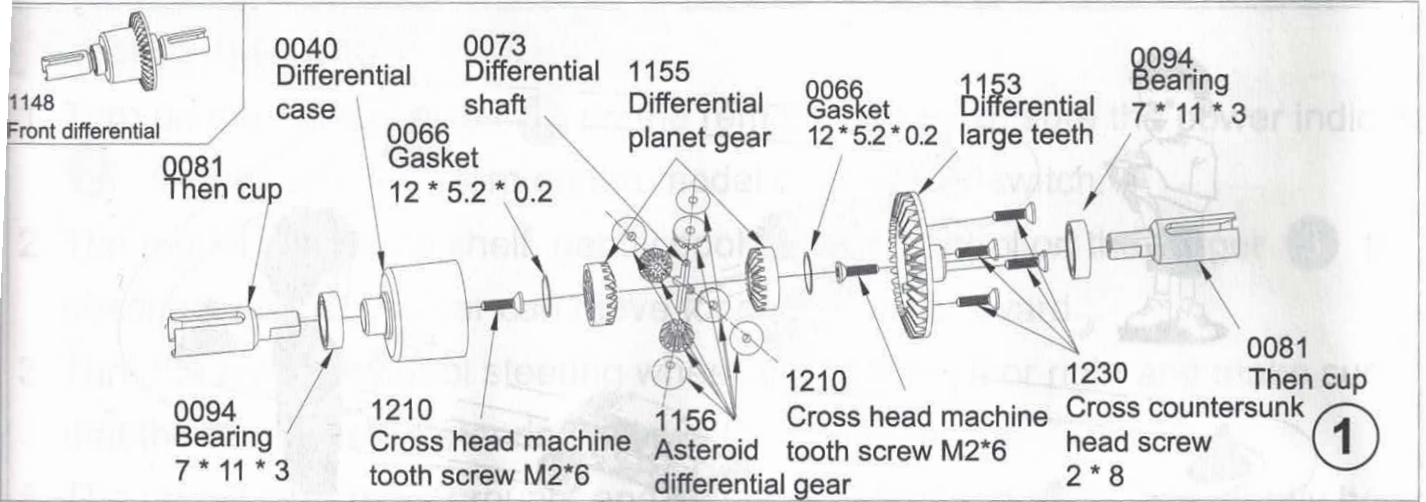
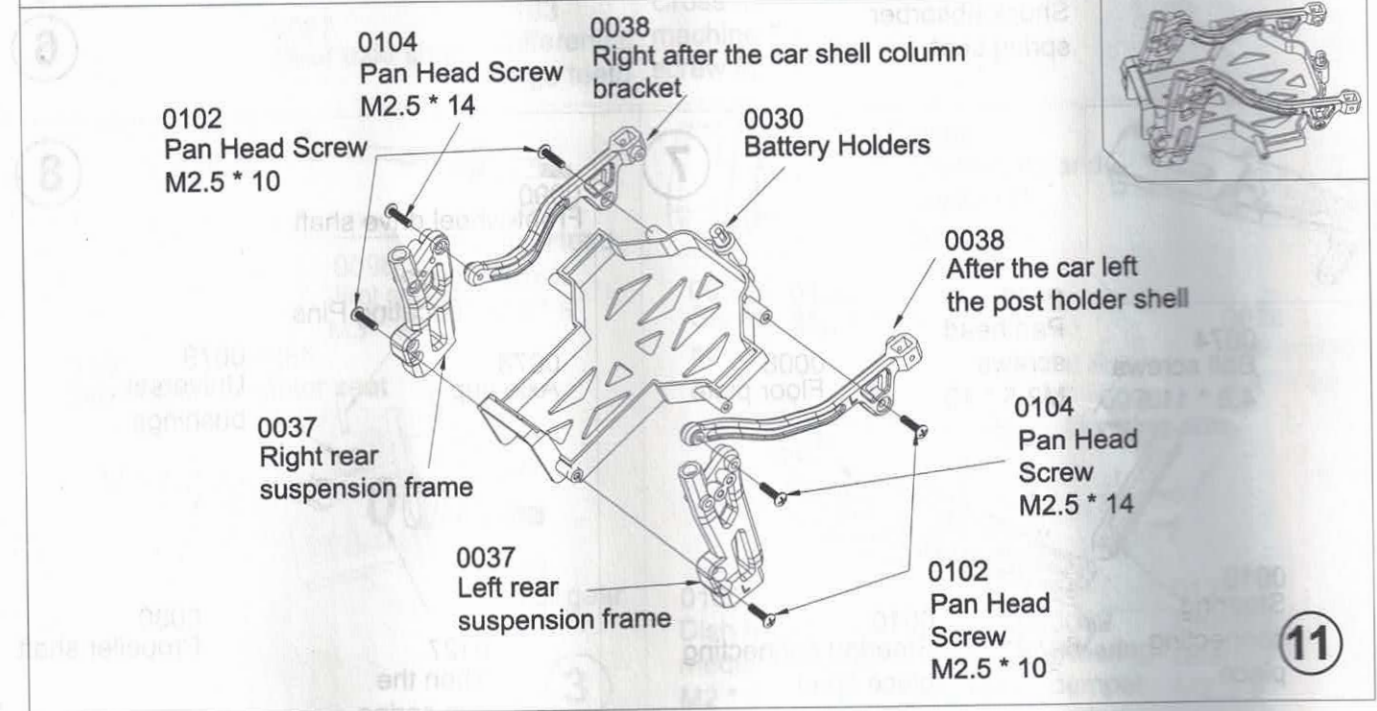
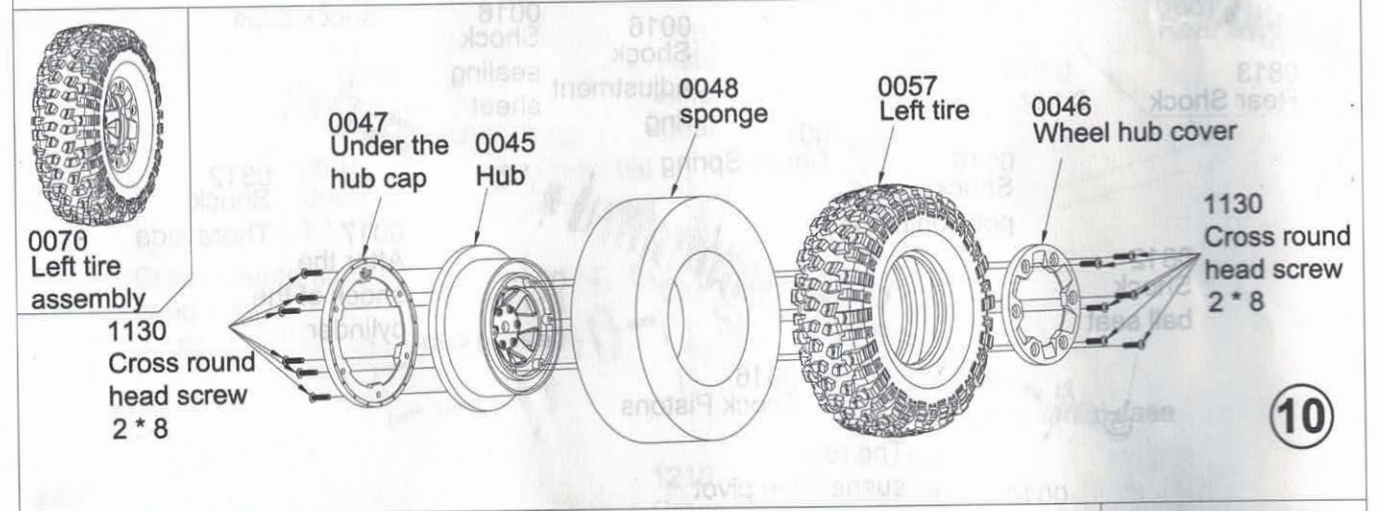
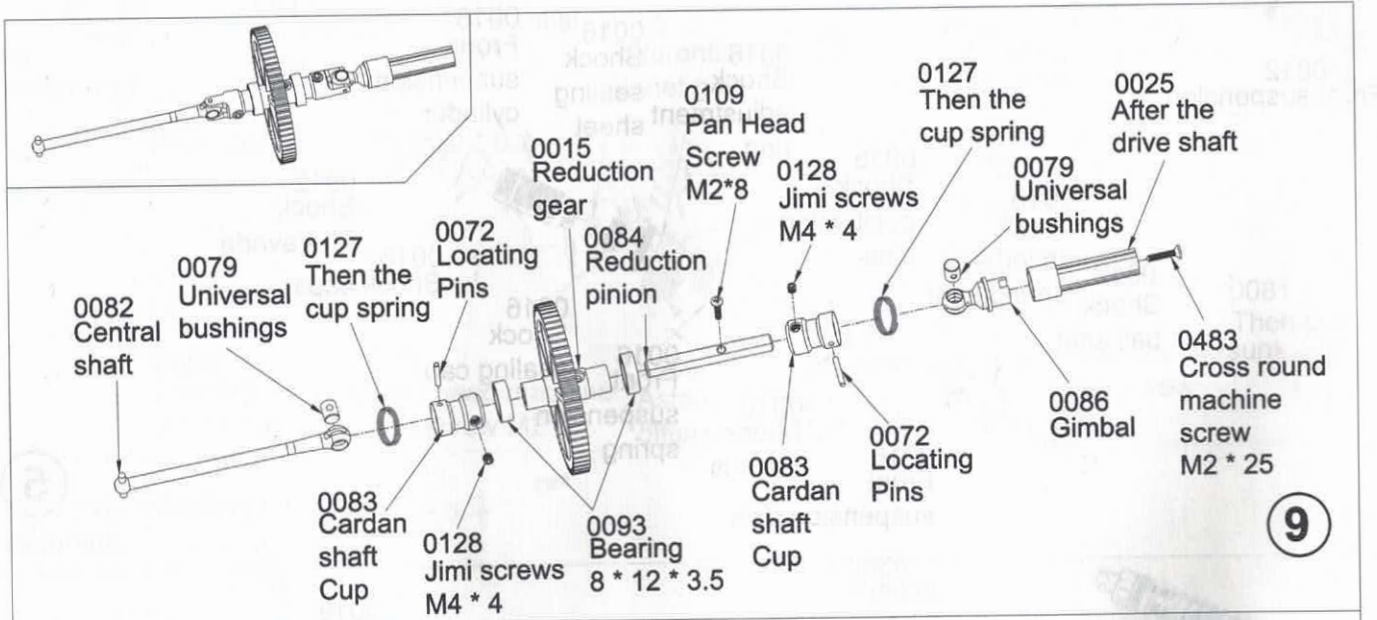
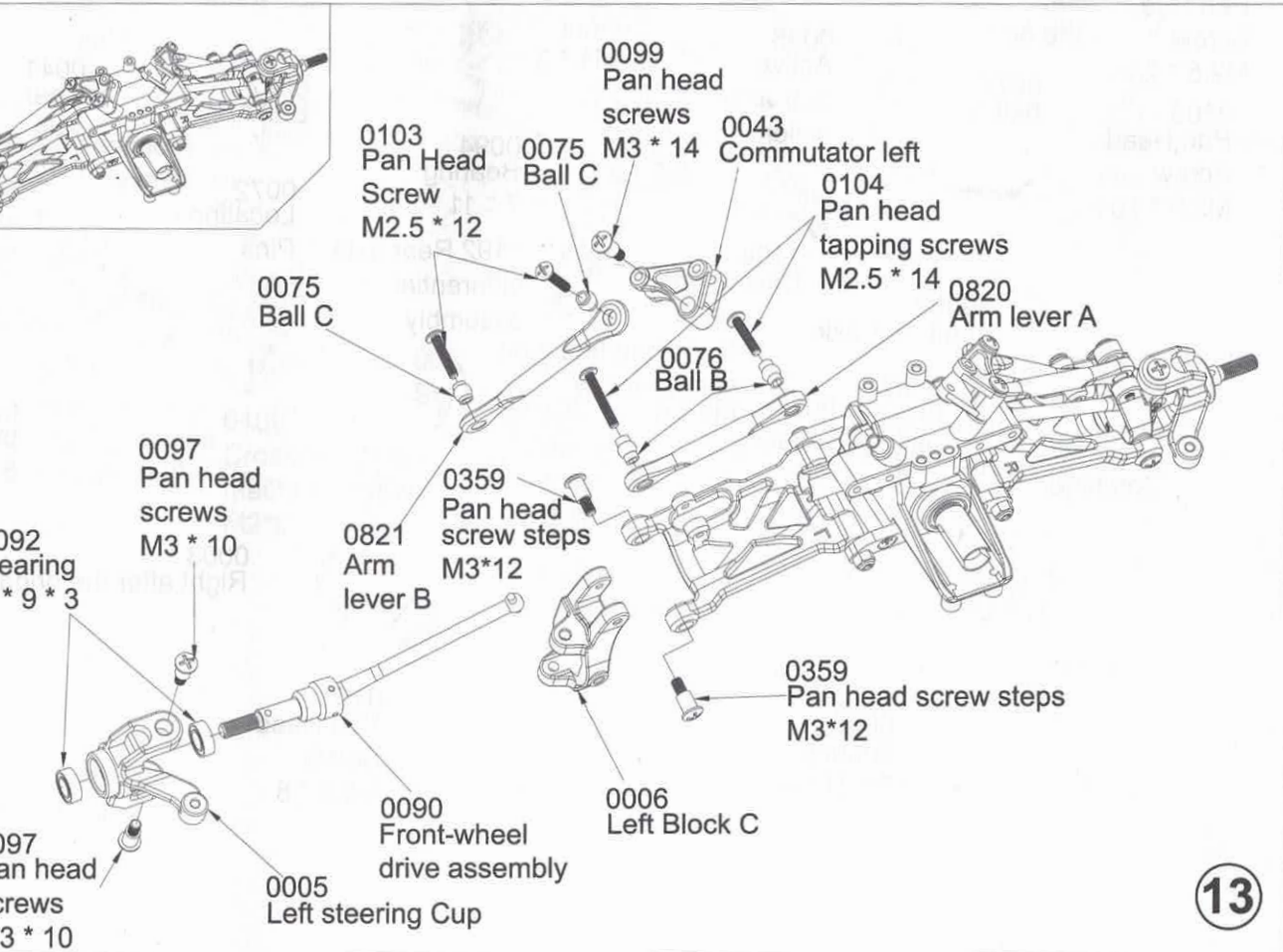
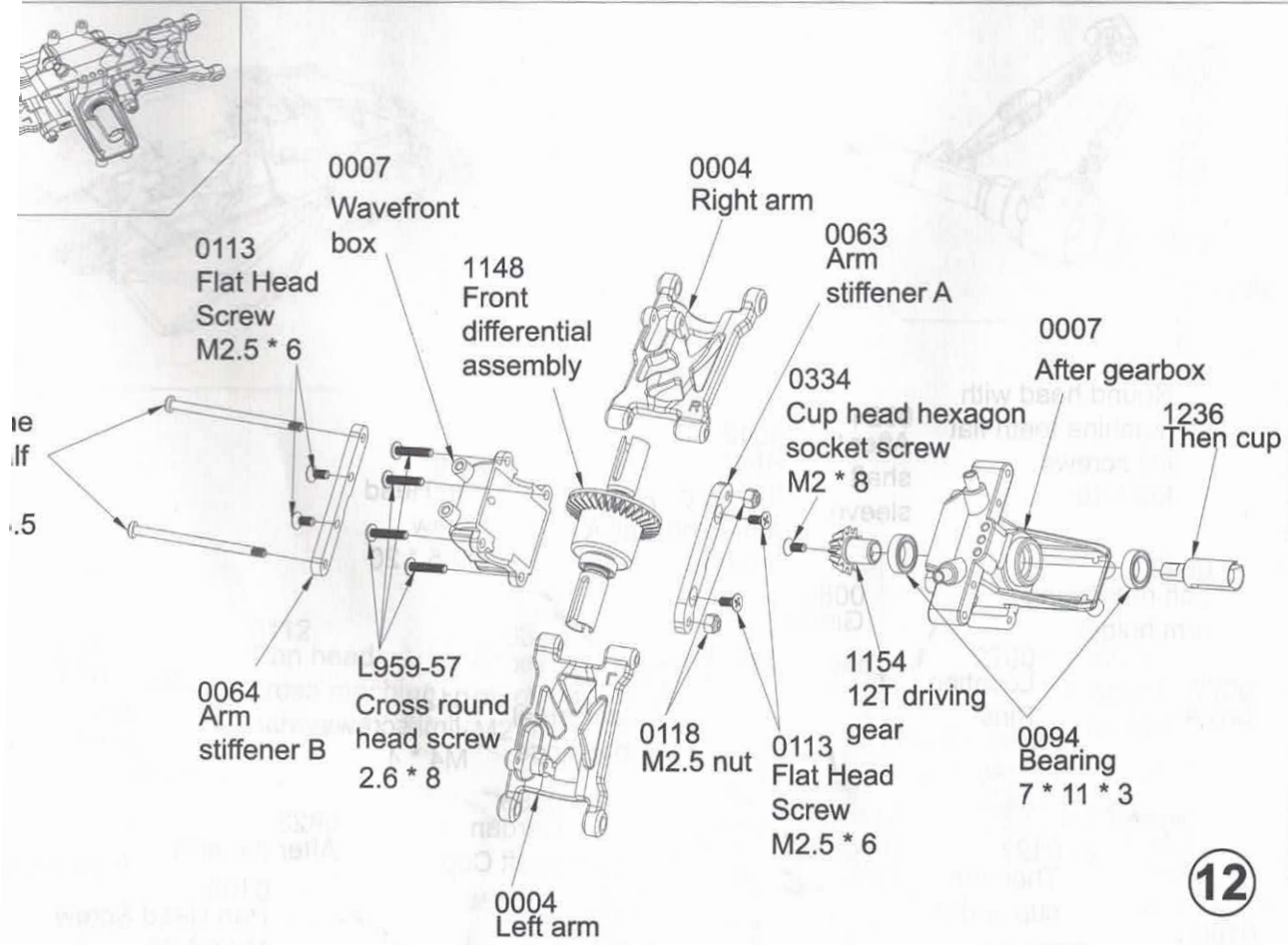
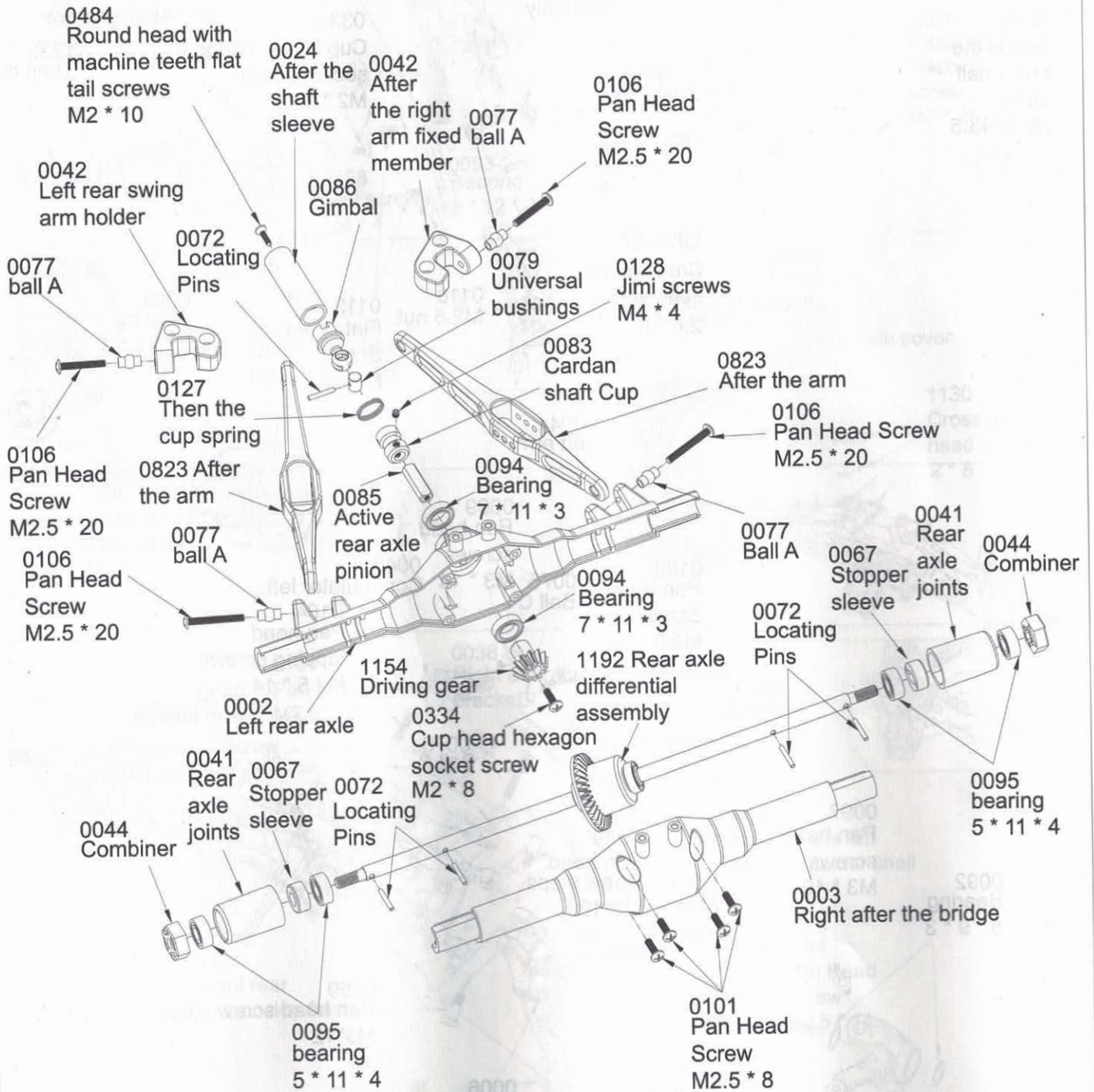
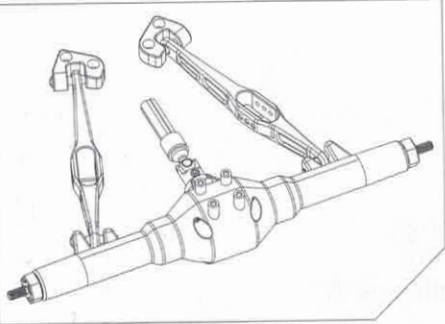


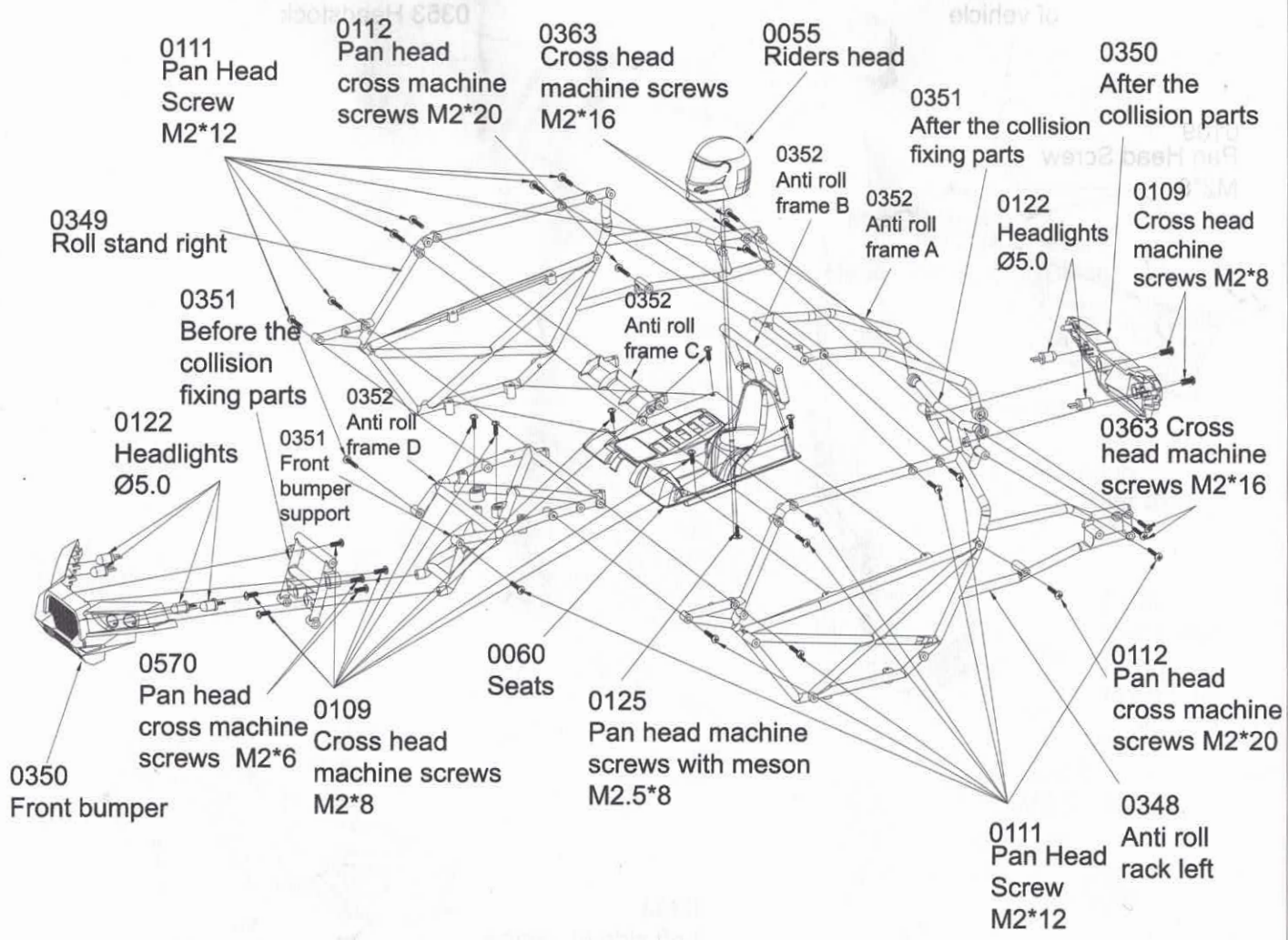
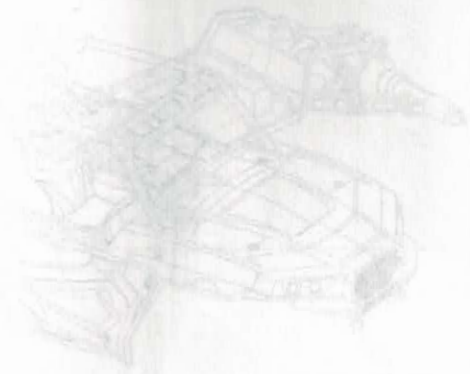
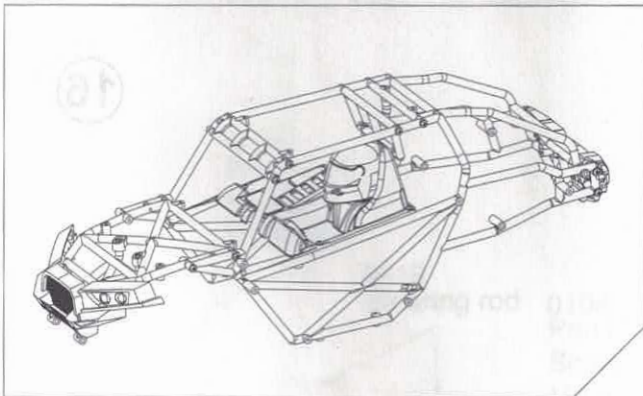
# Assembly Exploded Diagram

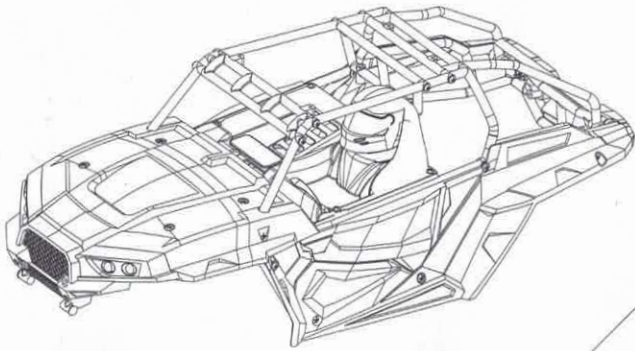










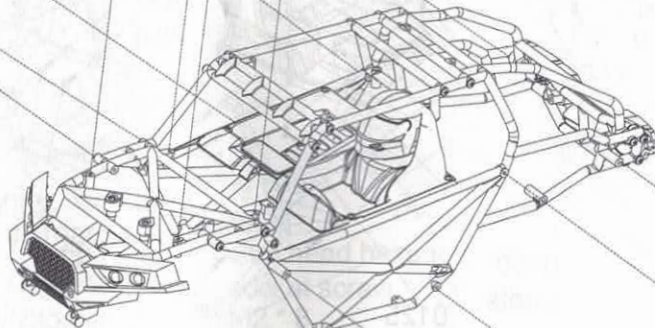
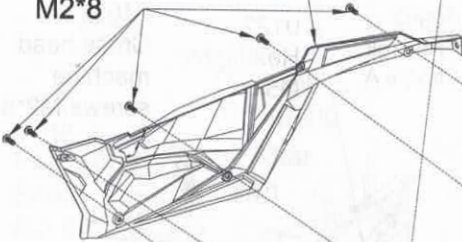


0109  
Pan Head  
Screw  
M2\*8

0353  
Right side  
of vehicle

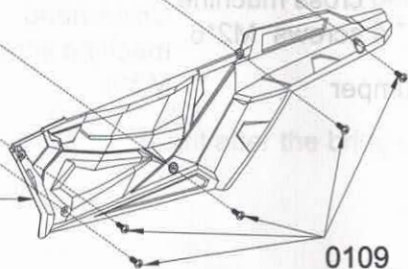
0353 Headstock

0109  
Pan Head Screw  
M2\*8

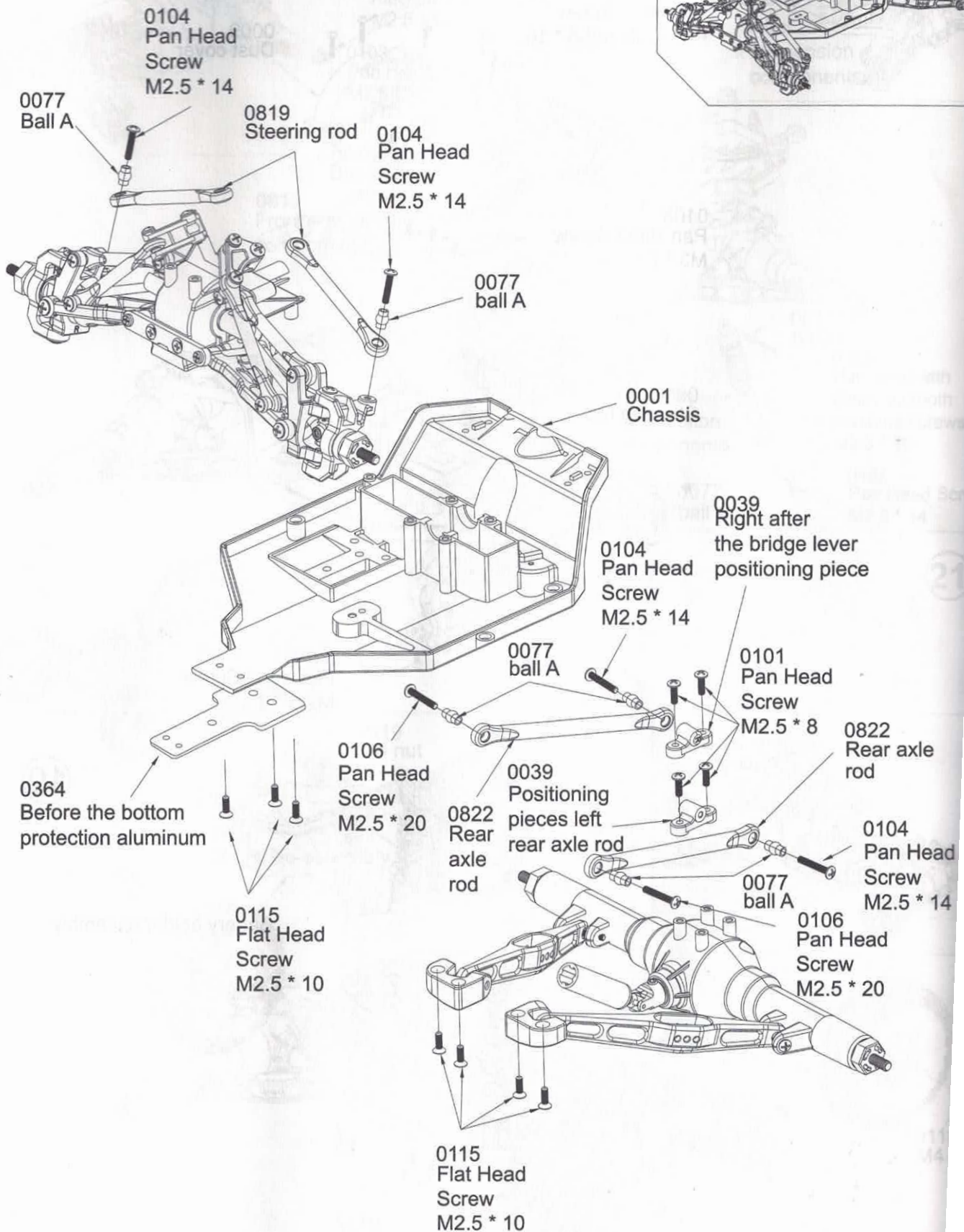


0353  
Left side of vehicle

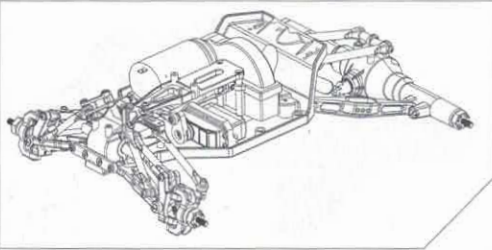
0109  
Pan Head  
Screw M2\*8



17







0105  
Pan Head  
Screw  
M2.5 \* 16

0102  
Pan Head Screw  
M2.5 \* 10

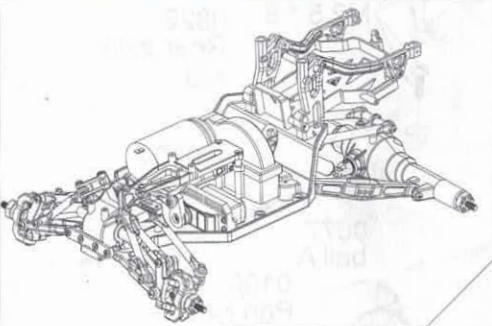
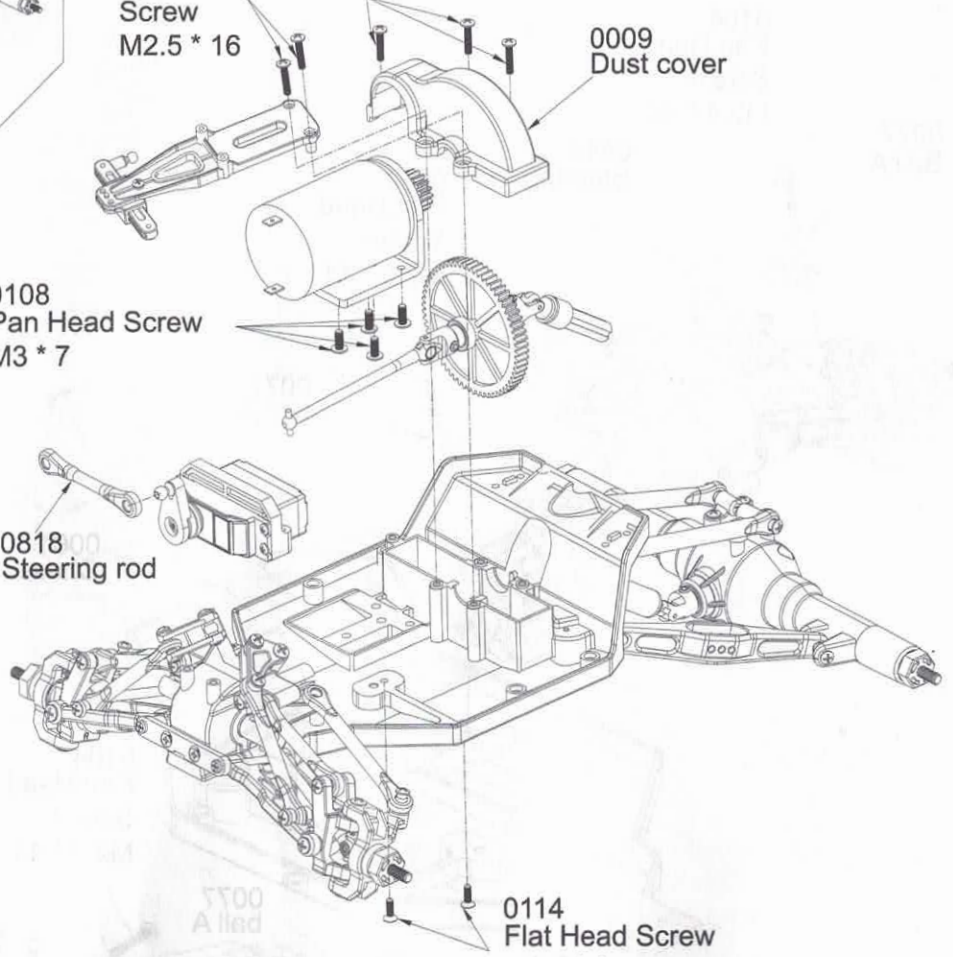
18

0009  
Dust cover

0108  
Pan Head Screw  
M3 \* 7

0818  
Steering rod

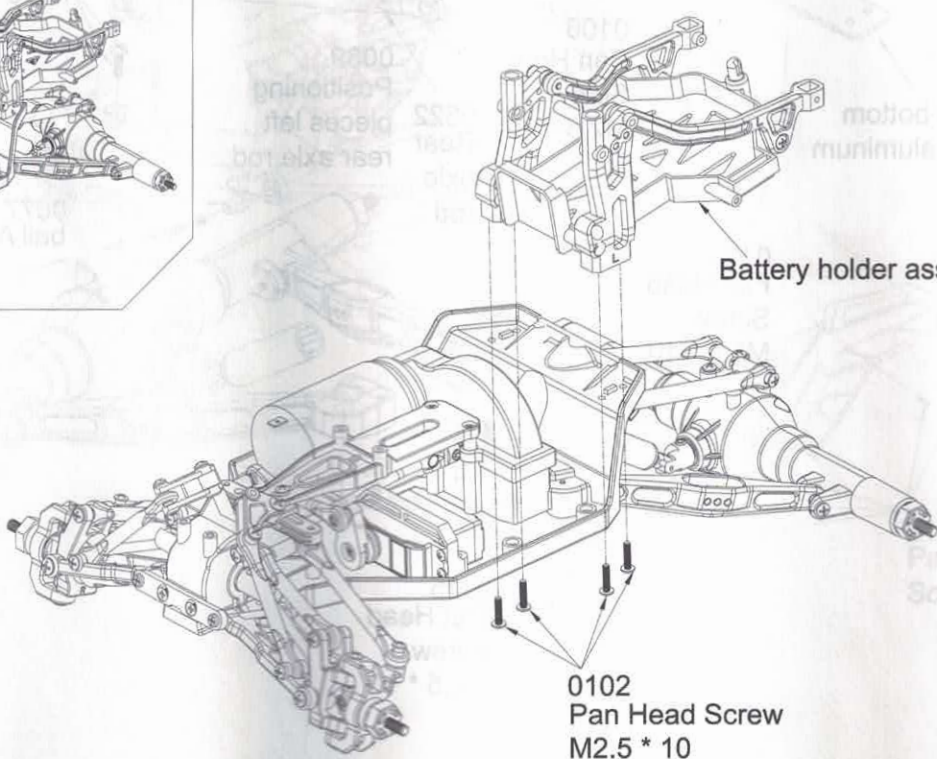
0114  
Flat Head Screw  
M2.5 \* 8

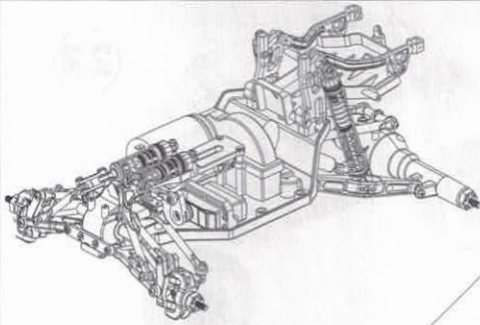


19

Battery holder assembly

0102  
Pan Head Screw  
M2.5 \* 10





0325  
Pan head with  
dielectric tooth  
machine screws  
M2.5 \* 16

0077  
ball A

0104  
Pan Head  
Screw  
M2.5 \* 14

0813  
After the  
suspension  
components

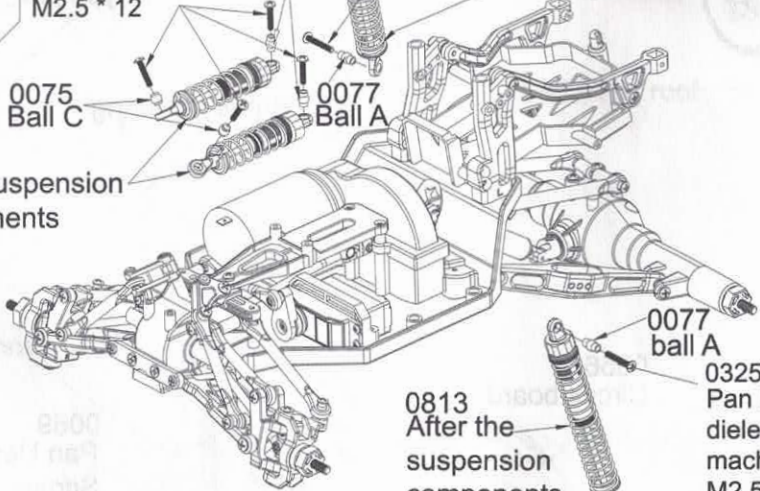
0103  
Pan Head Screw  
M2.5 \* 12

0076  
Ball B

0812  
Front suspension  
components

0075  
Ball C

0077  
Ball A



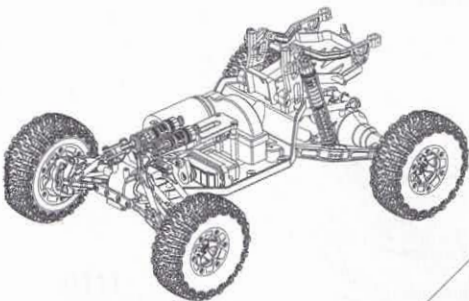
0813  
After the  
suspension  
components

0077  
ball A

0325  
Pan head with  
dielectric tooth  
machine screws  
M2.5 \* 16

0077  
ball A

0104  
Pan Head Screw  
M2.5 \* 14



0119  
M4 nut

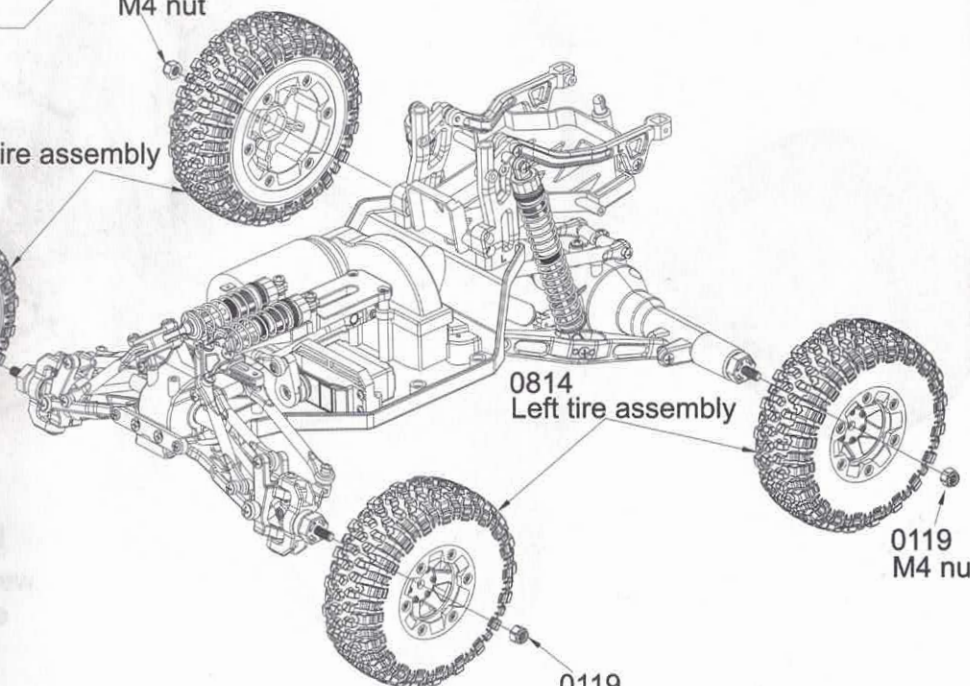
0815  
Right tire assembly

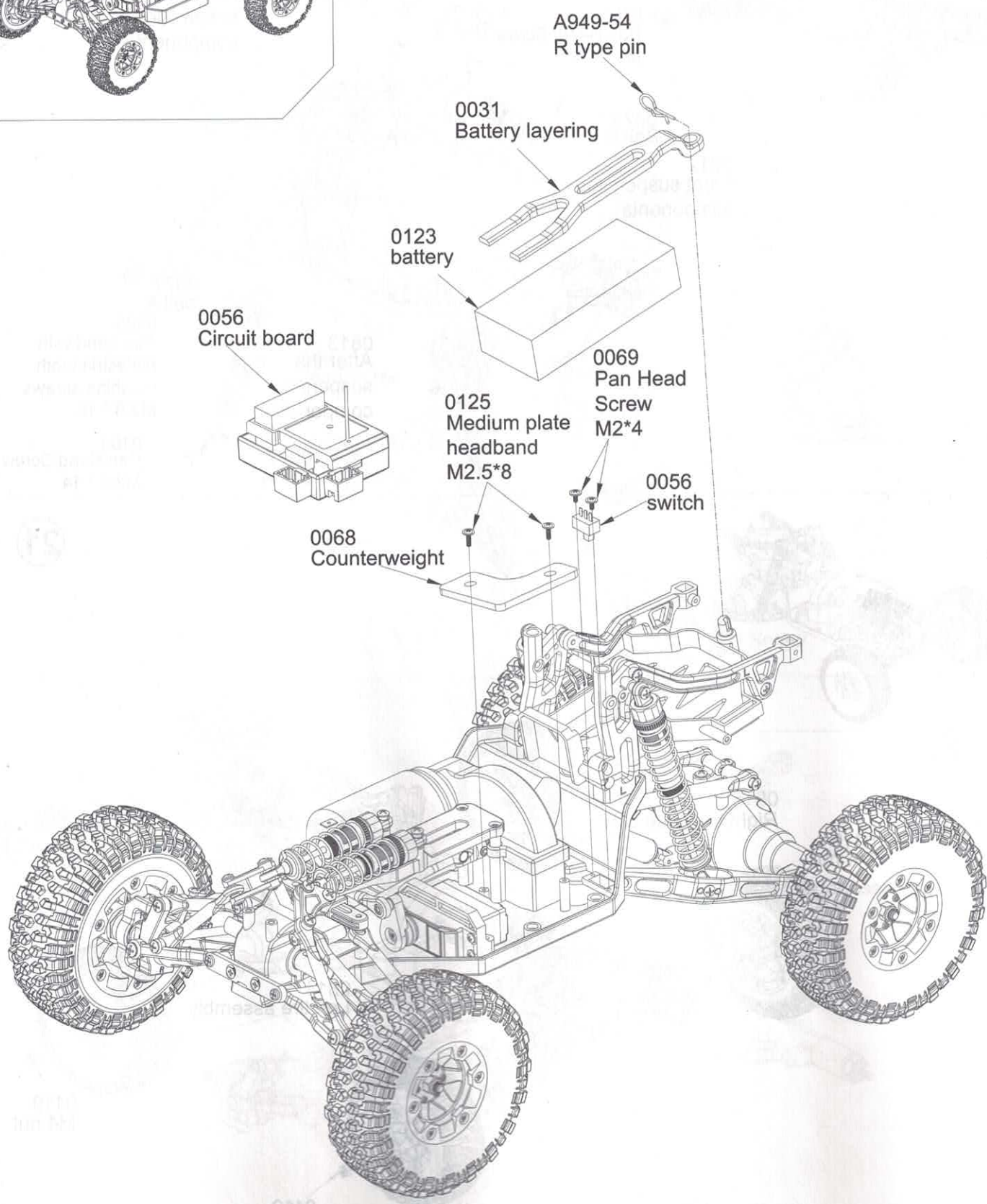
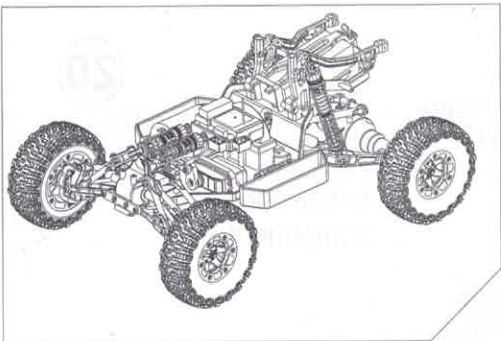
0119  
M4 nut

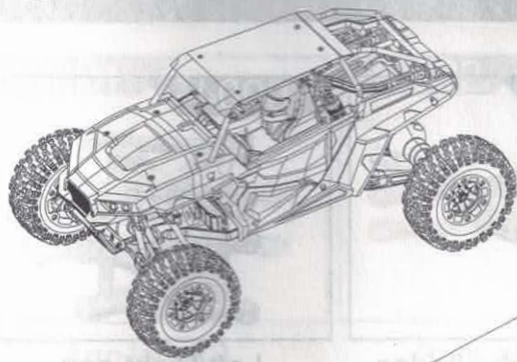
0814  
Left tire assembly

0119  
M4 nut

0119  
M4 nut







0109  
Pan head screw  
M2\*8

0353 The roof

0104  
Pan head  
cross machine  
screws  
M2.5\*14

0111  
Pan Head Screw  
M2\*12

0828  
Before climbing  
collision

0115  
Flat cross screw  
tooth machine  
M2.5\*10

0111  
Pan Head Screw M2\*12

# Sale parts view

0001



Chassis

0002



Left rear axle

0003



Right after the bridge

0004



Left/Right arm

0005



Left/Right steering Cup

0006



Left/Right Block C

0007



Wavefront box

0008



Floor board assembly.

0009



Dust cover

0010



Steering connecting piece

1153



Differential planet teeth

1154



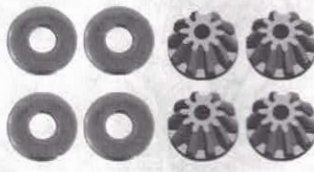
12T driving gear

1155



Differential planet gear

1156



Asterold differential gear

0015



Reduction gear

0812



Front suspension

0813



Rear Shock

0818



Steering rod

0819



Steering rod

0820



Arm leverA

# Sale parts view

0821



Arm lever B

0822



Rear axle rod

0823



After the arm

0024



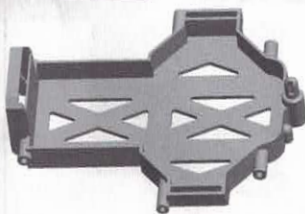
After the shaft sleeve

0025



After the drive shaft

0030



Battery Holders

0031



Battery layering

0032



Servo seat

0033



Steering arm

0037



Left/Right rear suspension frame

0038



Left/Right after the car shell column bracket

0039



Left/Right after the bridge lever positioning piece

0040



Differential case

0041



Rear axle joints

0042



Left/Right Rear swing arm holder

0043



Left/Right Commutator

0044



Combiner

0045



Hub

0046



Wheel hub cover

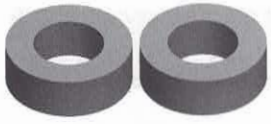
0047



Under the hub cap

# Sale parts view

0048



Sponge

0828



Climbing  
before crash

0055



Riders head

0056



Circuit board

0057



Left tire

0058



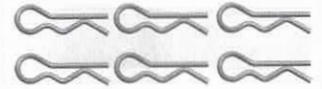
Right Tire

0060



Seat

A949-54



R type pin

0063



A swing arm stiffener

0064



Arm strengthen  
slice B

0065



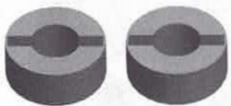
Motor seat

0066



Gasket  
12 \* 5.2 \* 0.2

0067



Stopper sleeve

0068



Counterweight

0069



M2 \* 4 screws

0814



Left tire assembly

0815



Right tire assembly

0072



Locating Pins

0073



Differential shaft

0074



Ball screws 4.8\*11.5

# Sale parts view

0075



Ball C

0076



Ball B

0077



Ball A

0078



Axle cup

0079



Universal bushings

0080



Propeller shaft

0081



Then cup

0082



Central shaft

0083



Cardan shaft Cup

0084



Reduction pinion

0085



Active rear axle pinion

0086



Gimbal

0087



Rear axle shaft

0088



Motor gear

0089



Steering damper spring

0090



Front-wheel dive shaft

1148



Front differential

0092



Bearing 5\*9\*3

0093



Bearing 8\*12\*3.5

0094



Bearing 7\*11\*3



# Sale parts view

0095



Bearing 5 \* 11 \* 4

1237



Screw the lower  
haft steps M2.5\*43.5

0097



Pan head screws  
M3\*10

0098



Jimi screws  
M3\*3

0099



Pan head screws  
M3\*14

0100



Dish headband  
mediated M2\*8

0101



Pan Head Screw  
M2.5\*8

0102



Pan Head Screw  
M2.5\*10

0103



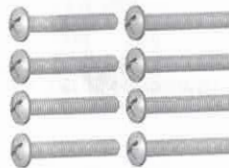
Pan Head Screw  
M2.5\*12

0104



Pan Head Screw  
M2.5\*14

0105



Pan Head Screw  
M2.5\*16

0106



Pan Head Screw  
M2.5\*20

0108



Pan Head Screw  
M3\*7

0334



Cup head hexagon  
socket screw M2\*8

0111



Pan HeadScrew  
M2\*12

0112



Pan Head Screw  
M2 \* 20

0113



Flat Head Screw  
M2.5\*6

0114



Flat Head Screw  
M2.5\*8

0115



Flat Head Screw  
M2.5\*10

1230



Cross countersunk  
head screw 2\*8

# Sale parts view

1231



Flat Head Screw  
M3\*8

0118



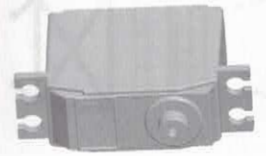
M2.5 nut

0119



M4 nut

0120



25g servos

0121



540 Motor

0122



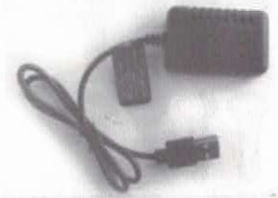
Headlight

0123



Battery

1374



Charger

0125



Medium plate headband  
M2.5\*8

0127



Then the cup spring

0128



Jimi screws M4 \* 4

0129



Headband disc  
referrals Screw  
M2.3\*8

0364



Before the bottom  
protection aluminum

1192



After the differential  
component

0325



Pan head with dielectric  
tooth machine screws  
M2.5\*16

0776



V2 LCD version of the  
remote control

0348



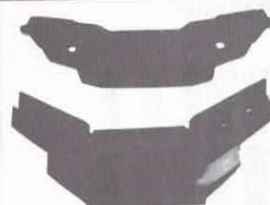
Anti roll rack left

0349



Anti roll rack right

0350



Anti collision

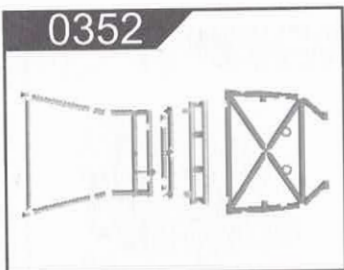
0351



Anti collision  
fixing element

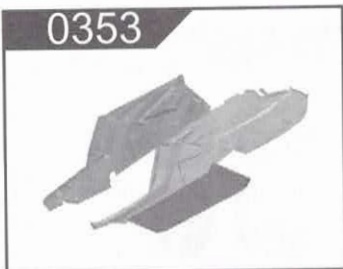
# Sale parts view

0352



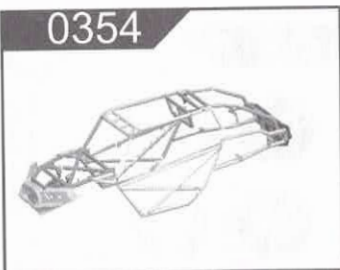
Anti roll frame

0353



Car shell

0354



Frame set

0359



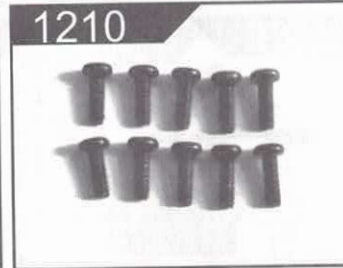
Pan head screw steps  
M3\*12

0483



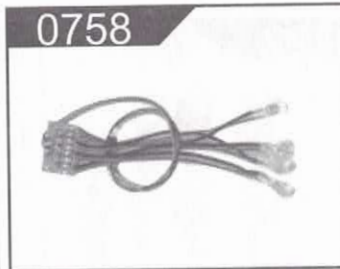
Cross round machine  
screw M2\*25

1210



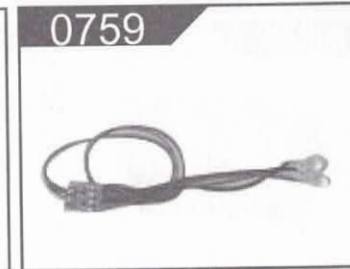
Round head cross  
screw M2\*6

0758



Headlight plate  
assembly

0759



Rear plate  
assembly

0476



Rear drive shaft  
assembly

0477



Rear drive sleeve  
assembly

0478



Central drive shaft  
assembly

0484



Round head with  
machine teeth flat  
tail screws M2\*10

0781



Cardan shaft cup  
assembly

0109



Cross head machine  
tooth screw M2\*8

0363



Cross head machine  
screws M2\*16

0762



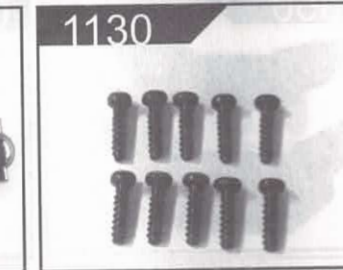
The shaft sleeve

0763



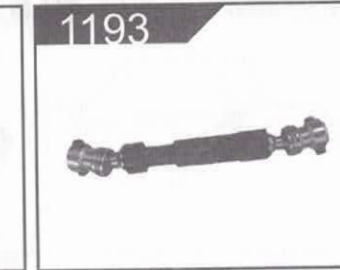
The shaft

1130



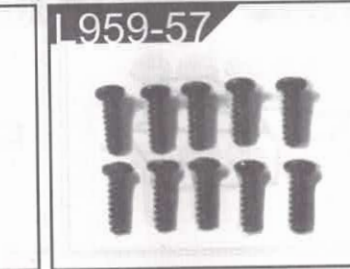
Cross round head self  
tapping screw 2\*8

1193



Drive shaft assembly

1959-57



Cross round head  
screw 2.6\*8

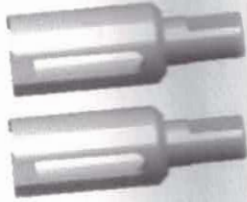
## Sale parts view

1241



Metal drive shaft  
assembly

1236



Differential cup