

**Model: PV-JM608**

**Connector Type: DC Solar Connector**

## Key Features

- Excellent resistance to aging and UV radiation, ensuring long-term outdoor performance
- Robust design for use in extreme weather conditions
- Integrated cable strain relief system with multilam contact technology for long-term connection stability
- Secure automatic locking mechanism for reliable mating and unmating
- Certified to IEC 62852 and UL 6703 standards

## Technical Specifications

### > Electrical Characteristics

Specification	PV-JM608 (TÜV)	PV-JM608 (UL)
Rated Current	30 A	20 A (12 AWG) 30 A (10 AWG) 50 A (8 AWG)
Rated Voltage	1500 V DC	1500 V DC
Contact Resistance	≤ 0.5 mΩ	≤ 0.5 mΩ
Safety Class	Class II	Class II

### > Mechanical Characteristics

Specification	PV-JM608 (TÜV) & (UL)
Operating Temperature	-40°C to +85°C (TÜV) -40°C to +90°C (UL)
Degree of Protection	IP68 (mated)
Wire Size Compatibility	4 mm <sup>2</sup> – 6 mm <sup>2</sup> (TÜV) 12 AWG – 8 AWG (UL)
Unmating Force	100 N

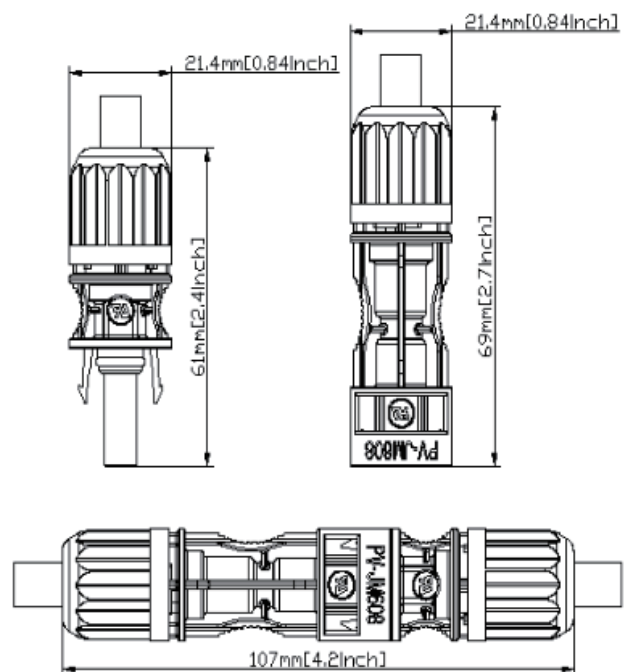
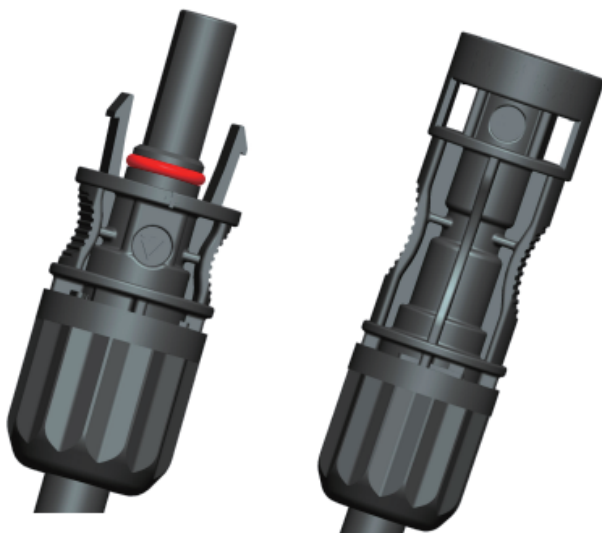
### > Material Specifications

Component	Material
Insulation Material	PPO (PV40Z), Black
Contact Material	Tin-plated Copper
Flammability Rating	UL94-V0 (TÜV) 5VA (UL)

### Compliance & Certifications

- TÜV Certified (IEC 62852)
- UL Listed (UL 6703)
- RoHS Compliant

### Mechanical Drawing



### Contact Information

ZHEJIANG JIAMING TIANHEYUAN PHOTOVOLTAIC TECHNOLOGY CO., LTD

Address: 158# Jinci Road, Hangzhouwan New Zone, Cixi, Ningbo City, Zhejiang, China

Tel: +86-574-63537888

Fax: +86-574-63667999